

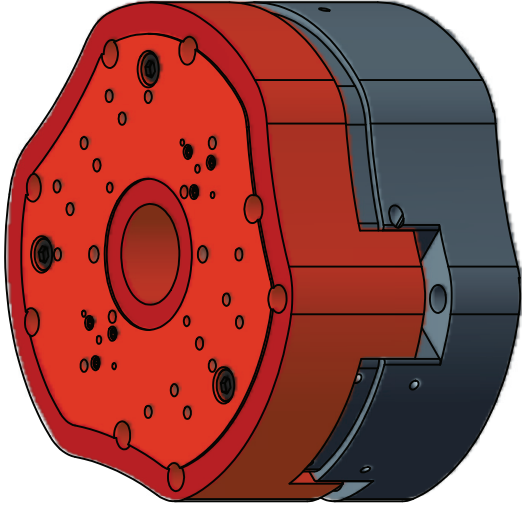


# ALIO STAGE AND MOTOR SPECIFICATIONS

MODEL	UNITS	AI-VC-2400-NANO-Z-CB
TRAVEL [6]	mm	24
MAX VELOCITY	m/s	0.2
MAX ACCELERATION	G	0.5
ASSEMBLY MASS	kg	6.5
MOVING MASS	kg	2.8
MAX PAYLOAD	kg	20
COUNTERBALANCE PRESSURE [7]	psi	85
<b>MOTOR INFORMATION</b>		
MOTOR TYPE	--	VOICE COIL
MOTOR MODEL	--	DUAL VC15-26
MAGNETIC PITCH (N-N)	mm	--
MAX VOLTAGE (LINE TO LINE) [1]	V	46
ELECTRICAL TIME CONSTANT	msec	0.5
MAX MOTOR TEMP	°C	155
<b>MOTOR SPECIFICATIONS</b>		
FORCE CONSTANT	N/Apk	8.8
PHASE RESISTANCE (@25° C) [2]	Ohm	4.6
PHASE RESISTANCE (@130° C) [2]	Ohm	--
INDUCTANCE	mH	2.1
CONTINUOUS FORCE [3,8]	N	22
CONTINUOUS CURRENT [3]	Apk	2.6
PEAK FORCE [4,8]	N	88
PEAK CURRENT [4]	Apk	10.0
BACK EMF CONSTANT	V/m/s	8.8

**Notes:**

1. Back EMF plus IR drop must not exceed maximum line to line voltage.
2. Resistance values do not include cable resistance. Cable resistance adds 0.66 ohm/m for Delta connection and 0.99 ohm/m for Wye Connection.
3. Continuous operating limits are based on continuous operation at maximum temperature with aluminum heat sink (300mm x 12.5mm x motor length).
4. Maximum on time at peak operating limits is 10 seconds.
5. All specifications may vary by 12% from listed values.
6. Travel listed is travel between hard stops.
7. Pneumatic counterbalance supply pressure listed is the estimated pressure required at the max payload.
8. Voice coil peak and continuous forces are reduced by 25% at the ends of travel.



ALIO INDUSTRIES PROPRIETARY INFORMATION  
 (Tel) 303.339.7500 - SALES@ALIOINDUSTRIES.COM - WWW.ALIOINDUSTRIES.COM



DRAWN	5/12/2012		
NBROWN			
CHECKED			
TITLE			
AI-VC-2400-NANO-Z-AB			
SIZE	DWG NO	REV	
B	0010-08006	001	
FINISH	SCALE	SHEET	OF
SEE NOTES	2	1	1