

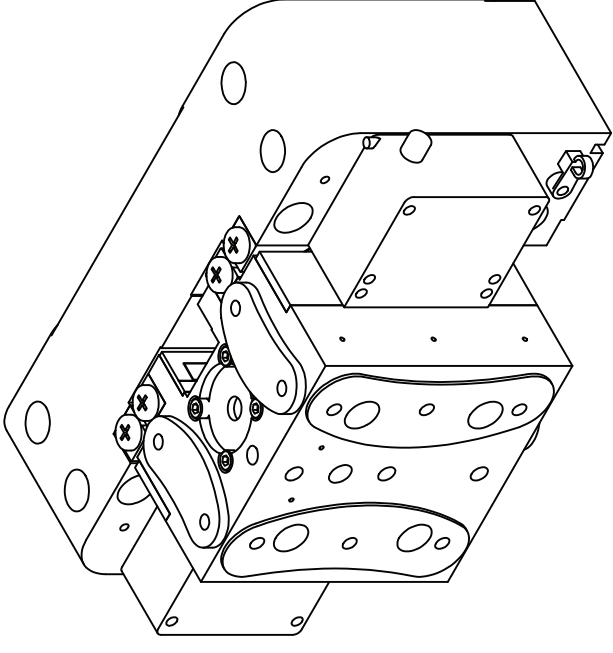


ALIO STAGE AND MOTOR SPECIFICATIONS

MODEL	UNITS	AI-D8-2500E-Z-CB
TRAVEL	mm	25
MAX VELOCITY [1]	m/s	0.2
ASSEMBLY MASS	kg	3.0
MOVING MASS	kg	0.9
MOTOR INFORMATION		
MOTOR TYPE	--	PIEZOELECTRIC CERAMIC SERVO MOTOR
MOTOR MODEL [2]	--	D8
MAX COMMAND VOLTAGE [3]	V	+/- 10
MAX MOTOR TEMP	°C	80
FORCE RATIO	N/V	6.4
PHASE CAPACITANCE (@25° C) [4]	nF	12.8
CONTINUOUS FORCE [5]	N	32
PEAK FORCE [6]	N	64

Notes:

1. Maximum velocity specified is for motor in unloaded state. Stage velocity limitations vary greatly depending on stage load and motion profile.
2. Amplifier must be matched to motor type and are not interchangeable with different motor types.
3. Voltage specified is the maximum analog command voltage from the controller to ceramic servo motor amplifier.
4. Capacitance values for motor at room temperature and do not include cable capacitance.
5. Continuous force limit varies with amplifier selection, stage load, and motion profile, see ALIO manual for duty cycle calculations.
6. Maximum time at peak force varies with amplifier selection, stage load, and motion profile, see ALIO manual for duty cycle calculations.
7. All specifications may vary by 10% from listed values.



DRAWN	5/12/2012	
NBROWN		
CHECKED		
TITLE		
AI-D8-(TRAVEL)00E-Z-CB		
SIZE	DWG NO	REV
B	0010-08026	001
FINISH		
SEE NOTES	SCALE	
	ALIO STD TEMPLATE - REV 006	1 OF 1

ALIO INDUSTRIES PROPRIETARY INFORMATION
(Tel) 303.339.7500 - SALES@ALIOINDUSTRIES.COM - WWW.ALIOINDUSTRIES.COM

ALIO 6-D

