

STANDARD FEATURES

MOTOR: HR-4
 STD FORCE 16 N
 (CONSULT FACTORY FOR HIGHER FORCE)
 TRAVEL: 100mm
 SPEED: 250mm/sec
 ENCODER RESOLUTION: ANALOG 1 VOLT, PEAK TO PEAK
 OPTIONAL: 5um, 1um, 0.5um, 0.1um, 0.05um, 0.02um,
 0.01um or 5nm USING 4096 INTERPOLATION
 (CONTROLLER DEPENDENT)
 SYSTEM REPEATABILITY: +/- 1 ENCODER COUNT
 (CONTROLLER DEPENDENT)
 HOME SENSOR: STANDARD
 BEARINGS: PRECISION CROSS ROLLER
 < 2.0um PARALLELISM
 BEARING DYNAMIC LOAD RATING: 4kN
 SYSTEM LOAD CAPACITY: APPLICATION DEPENDENT
 PLEASE CONSULT THE FACTORY
 ENCLOSURES: ALUMINUM 6061-T6
 STAINLESS STEEL OPTIONAL
 ENVIRONMENT: STANDARD, CLEAN ROOM, VACUUM
 10e-7, AND VACUUM 10e-10 TORR
 (CONSULT FACTORY)
 TEMPERATURE: 0 to 100 DEG C
 HUMIDITY: 10% to 80% NON-CONDENSING
 ASSEMBLY MASS: 1.5 kg

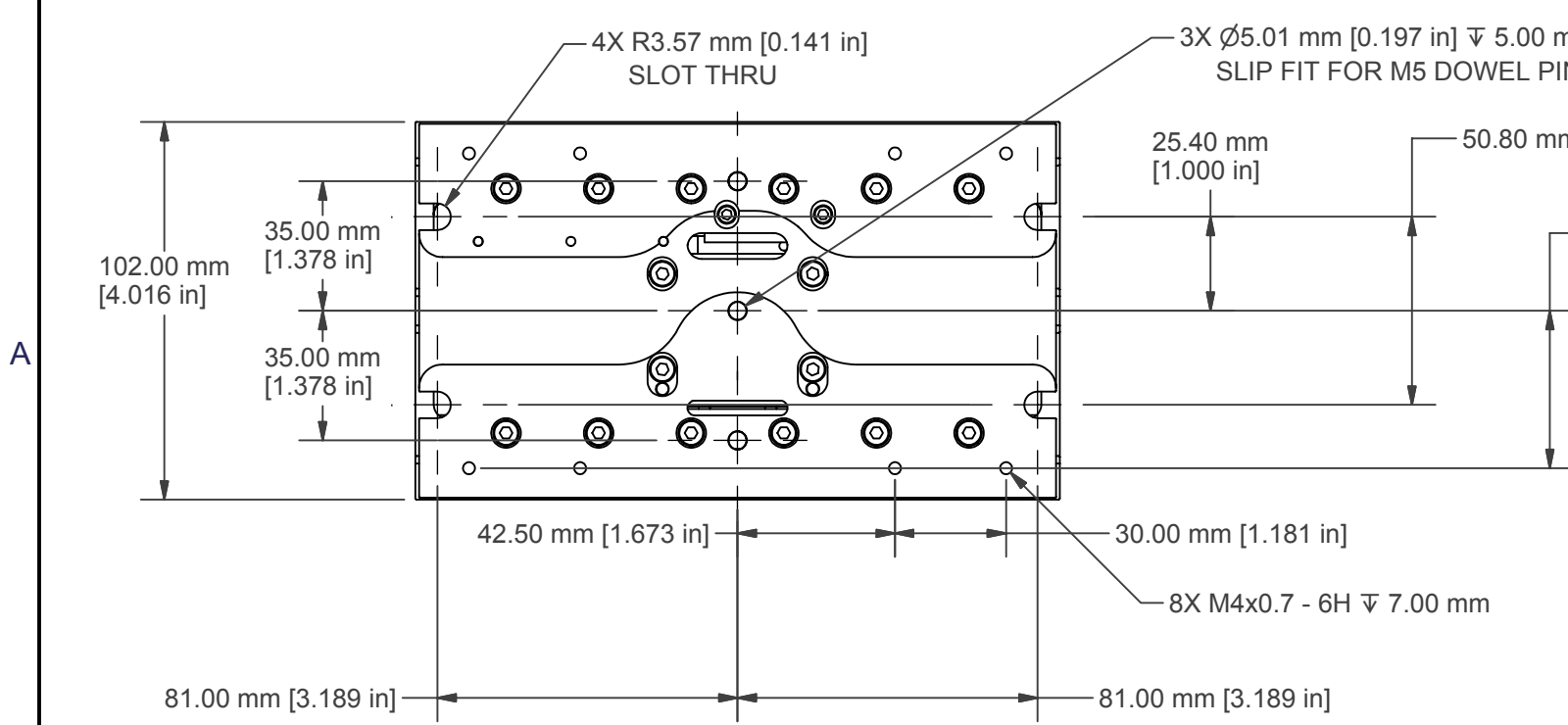
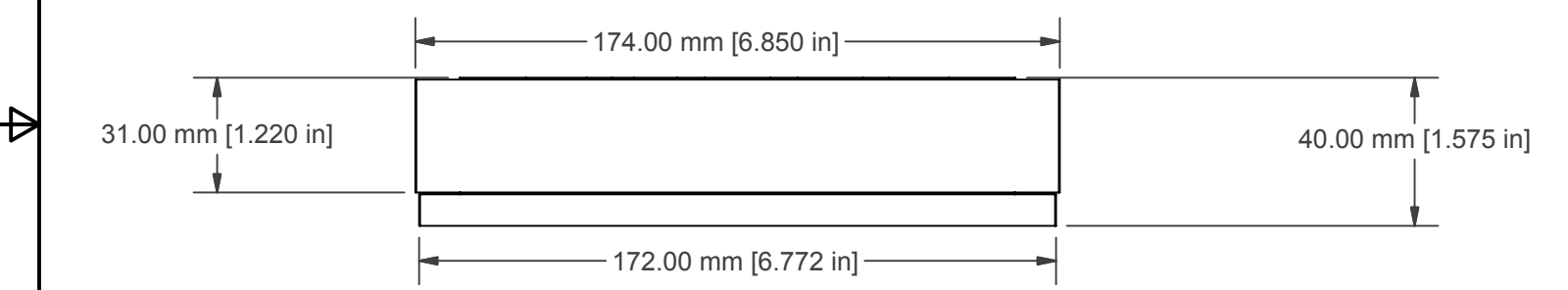
ACCESSORIES

MOTOR AMPLIFIER

OPTIONAL EQUIPMENT

MOTION CONTROLLERS

CUSTOM DESIGNS FOR OEM INTEGRATION



ALIO INDUSTRIES PROPRIETARY INFORMATION

11919 W I-70 FRONTAGE ROAD NORTH, UNIT 119, WHEAT RIDGE, CO 80033 USA
 (Tel) 303.339.7500 - SALES@ALIOINDUSTRIES.COM - WWW.ALIOINDUSTRIES.COM



DRAWN	NBROWN	9/11/2005
CHECKED		
Tolerances: x.x \pm .04 in x.xx \pm .02 in x.xxx \pm .005 in MATERIAL		

TITLE		
AI-HR4-10000		
SIZE	DWG NO	REV
B	0010-00566	002
SCALE	ALIO STD TEMPLATE - REV 004	SHEET 1 OF 1