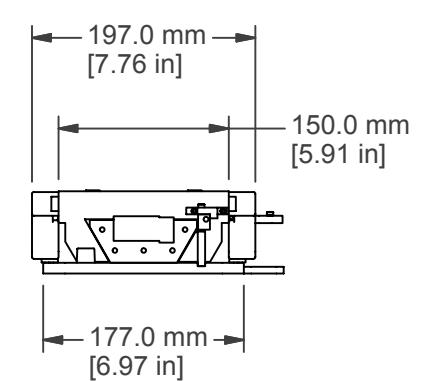


AIR QUALITY
 AIR SUPPLY MUST BE FREE OF CONTAMINANTS AND MOISTURE. FILTERED AIR SUPPLY TO ISO 8573.1 QUALITY CLASS 3

CLASS: 3 (RECOMMENDED)
 DIRT: 5 MICRON PARTICAL SIZE OR SMALLER
 WATER: -4 F, PRESSURE DEWPOINT (128 ppm. vol.) AT 100 psig
 OIL: 1.0 mg/m**3 (INCLUDING VAPOR)

CLASS: 4 (MINIMUM)
 DIRT: 15 MICRON PARTICAL SIZE OR SMALLER
 WATER: +37.4 F, PRESSURE DEWPOINT (940 ppm. vol.) AT 100 psig
 OIL: 5 mg/m**3 (INCLUDING VAPOR)

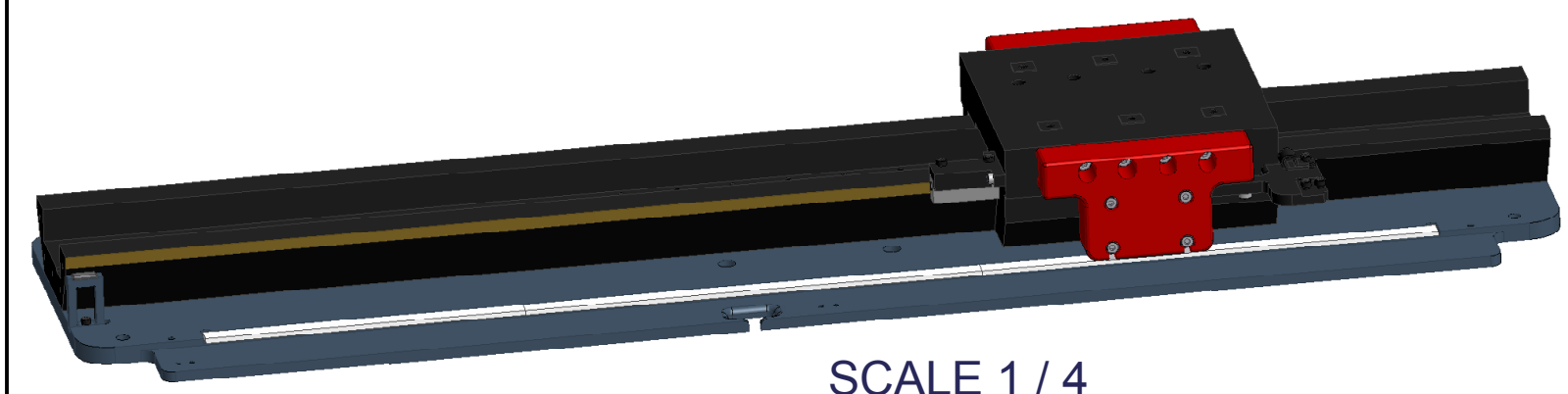


STANDARD FEATURES
 MOTORS: DUAL HR-4, MAX FORCE 30 to 36 N
 TRAVEL: 600mm
 SPEED: 250mm/sec MAX.
 ENCODER OUTPUT: ANALOG 1 Vp-p (STANDARD)
 OPTIONAL: 5um, 1um, 0.5um, 0.1um, 50nm, 20nm, 10nm, or 5nm USING 4096 INTERPOLATION. (CONTROLLER DEPENDENT) (CONSULT FACTORY FOR ADDITIONAL REQUIREMENTS)
 SYSTEM REPEATABILITY: +/- 2 ENCODER COUNTS (CONTROLLER DEPENDENT)
 HOME: STANDARD
 BEARINGS: PRECISION AIR BEARING NOT TO EXCEED AIR QUALITY SPECIFICATION
 ENCLOSURES: ALUMINUM
 ATMOSPHERES: STANDARD & CLEAN ROOM
 TEMPERATURE: 10 to 35 DEG C
 HUMIDITY: 10% to 80% NON-CONDENSING
 ASSEMBLY MASS: 13.8 kg (MOVING MASS: 1.9 kg)

AIR BEARING PERFORMANCE SPECIFICATIONS
 OPERATING PRESSURE: 60 PSIG TO 80 PSIG, 120 PSIG MAX.
 MAXIMUM LOAD RATING: 63 kg (139 lbs) (@ 60 psig)
 HORIZONTAL STRAIGHTNESS: 0.25 um / 25 mm (10 micro-inch /inch)
 VERTICAL STRAIGHTNESS: 0.25 um / 25 mm (10 micro-inch /inch)
 HORIZONTAL STIFFNESS: 105*10e6 N/m (600,000 lbs/in)
 VERTICAL STIFFNESS: 250*10e6 N/m (1,400,000 lbs/in)
 PITCH MOMENT: 20 N-m (177 in-lbs)
 ROLL MOMENT: 24 N-m (212 in-lbs)
 YAW MOMENT: 10 N-m (89 in-lbs)
 ALL SPECIFICATIONS LISTED FOR 60 psig OPERATING PRESSURE
 LOADING, STIFFNESS, AND MOMENT SPECIFICATIONS INCREASE AT HIGHER OPERATING PRESSURES

ACCESSORIES
 MOTOR AMPLIFIERS
OPTIONAL EQUIPMENT
 MOTION CONTROLLERS
 CUSTOM DESIGNS FOR OEM INTEGRATION

USE IN-LINE PRESSURE SWITCH TO KILL MOTOR POWER IF AIR PRESSURE DROPS BELOW RATED OPERATING VALUE
DO NOT OPERATE UNLESS AIR PRESSURE IS APPLIED!



SCALE 1 / 4

ALIO INDUSTRIES
 11919 W I-70 FRONTAGE ROAD NORTH, UNIT 119
 WHEAT RIDGE, COLORADO 80033 USA
 (T) 303-339-7500 www.alioindustries.com

DRAWN Dan Crews 10/12/2004			
CHECKED			
Tolerances: x.x ± .04 in x.xx ± .02 in x.xxx ± .005 in		TITLE Stage - Linear, 600mm Air Bearing, Dual HR4	
MATERIAL		SIZE B	DWG NO Dual HR4-60000E-AB
		SCALE	REV 000
		SHEET 1 OF 1	