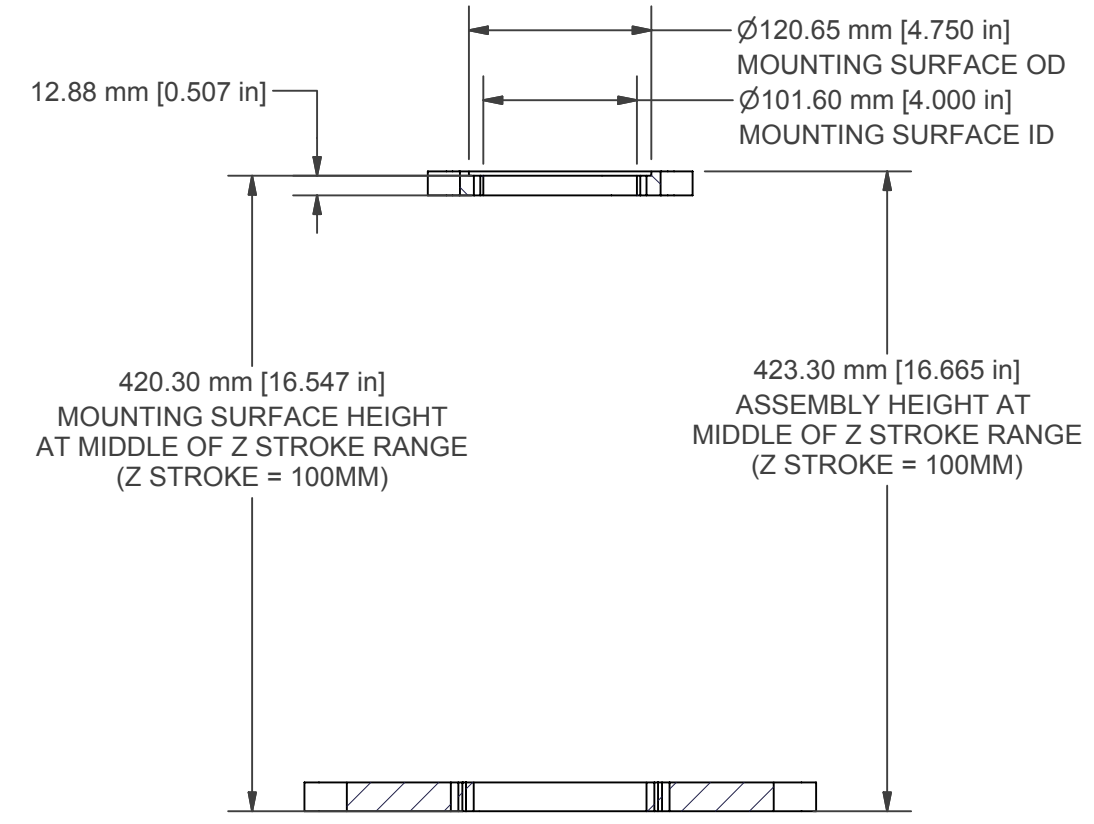
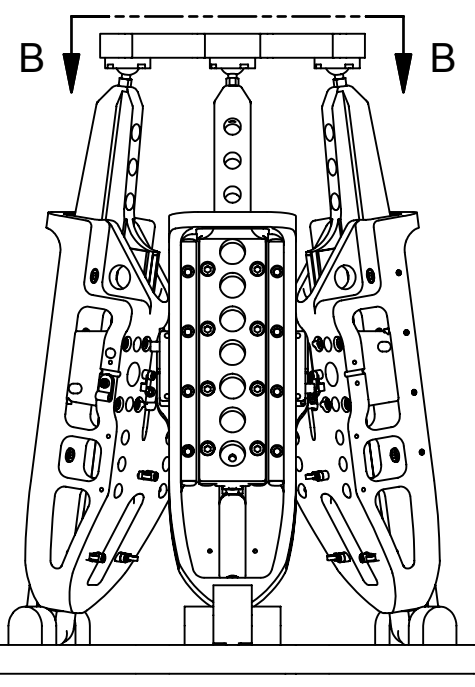
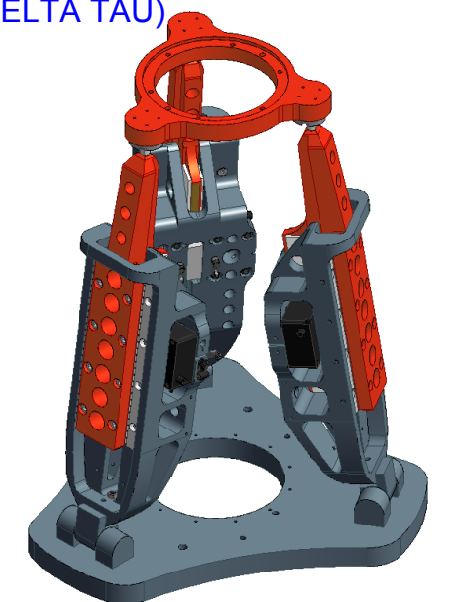
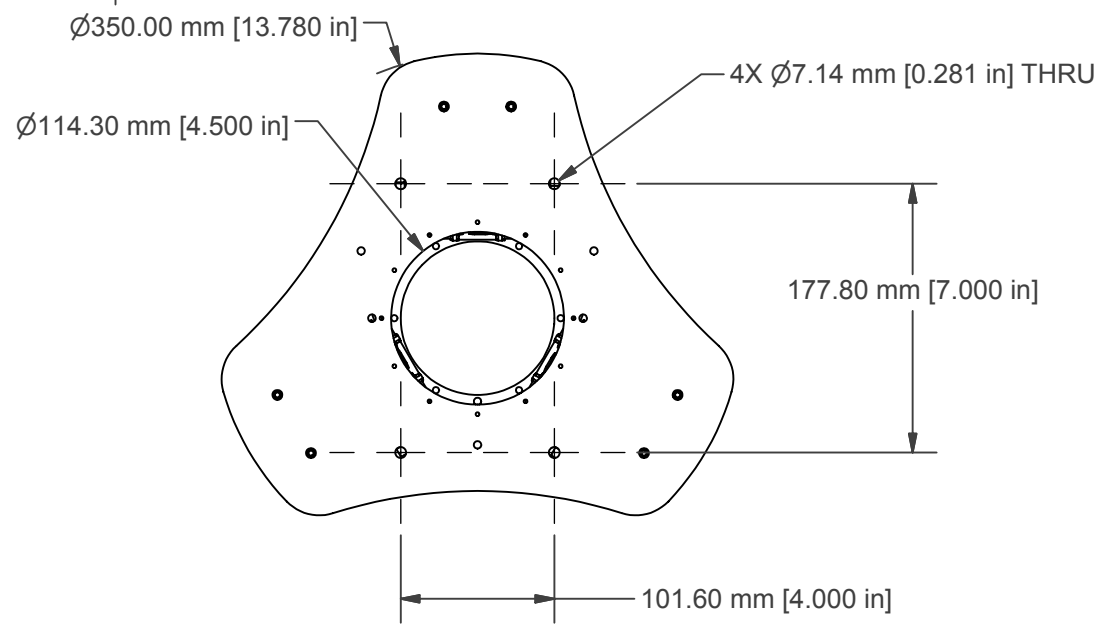


STANDARD FEATURES
 MAXIMUM Z STROKE: 100mm
 PITCH & ROLL RANGE: +/- 24 degrees
 RANGE DEFINED AT MIDDLE OF Z STROKE
 MOTORS: (6) HR-8 CERAMIC SERVO
 FORCE, STANDARD: 192 N
 TRIPOD SPEED: 200mm/sec
 ENCODERS: (3) LINEAR OPTICAL
 ENCODER OUTPUT: ANALOG 1 VOLT, PEAK TO PEAK
 ENCODER RESOLUTION: 5nm
 BEARINGS: PRECISION CROSSED ROLLER,
 PRECISION SPHERICAL JOINT &
 PRECISION BALL BEARING
 STRUCTURE: ALUMINUM 6061-T6
 ENVIRONMENT: STANDARD, CLEAN ROOM, VACUUM
 10e-7 TORR, AND VACUUM 10e-10 TORR
 TEMPERATURE: 0 to 50 DEG C
 HUMIDITY: 10% to 80% NON-CONDENSING

INCLUDED EQUIPMENT
 MOTION CONTROLLERS (DELTA TAU)
 MOTOR AMPLIFIERS
 SOFTWARE AND LICENSE



SECTION A-A



ALIO INDUSTRIES PROPRIETARY INFORMATION

11919 W I-70 FRONTAGE ROAD NORTH, UNIT 119, WHEAT RIDGE, CO 80033 USA
 (Tel) 303.339.7500 - SALES@ALIOINDUSTRIES.COM - WWW.ALIOINDUSTRIES.COM

DRAWN	NBROWN	5/2/2005			
CHECKED					
Tolerances:			AI-TRI-HR8		
x.x ± .04 in					
x.xx ± .02 in			SIZE	DWG NO	REV
x.xxx ± .005 in			B	00528	001
MATERIAL			SCALE	ALIO STD TEMPLATE - REV 004	SHEET 1 OF 1