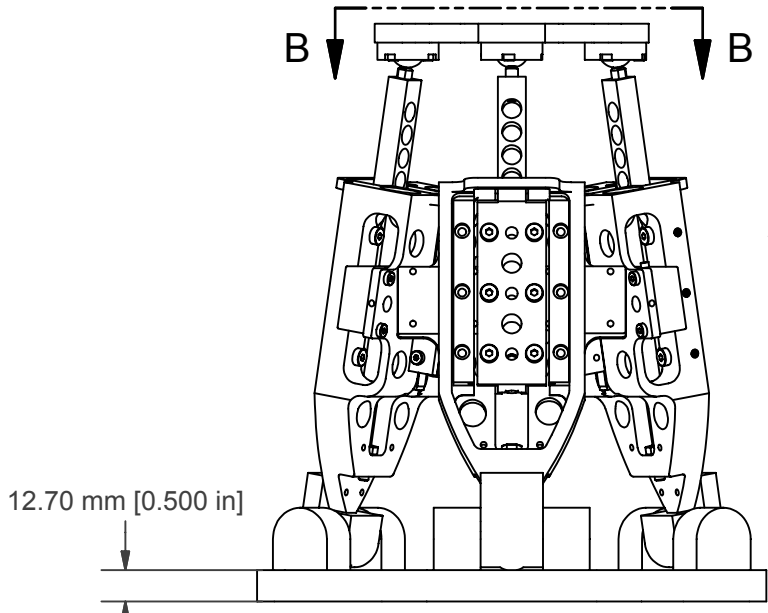
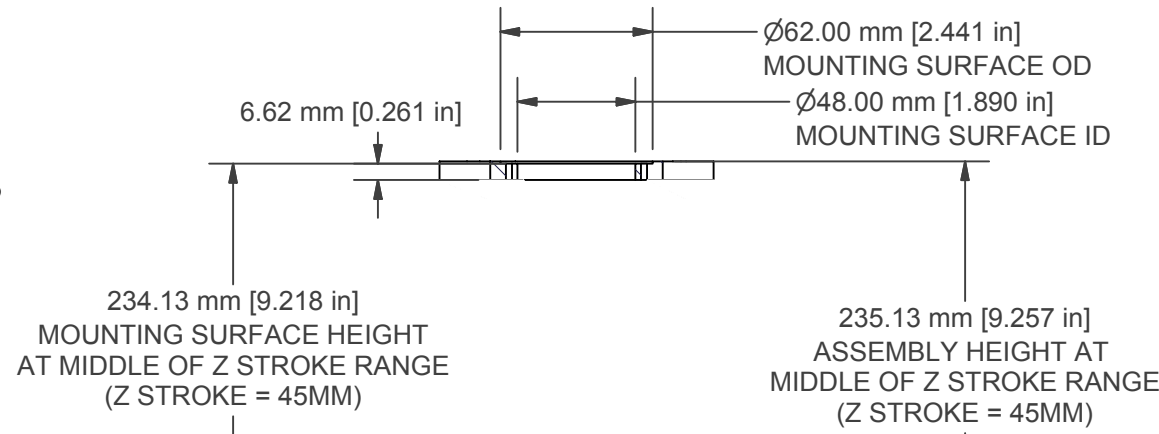
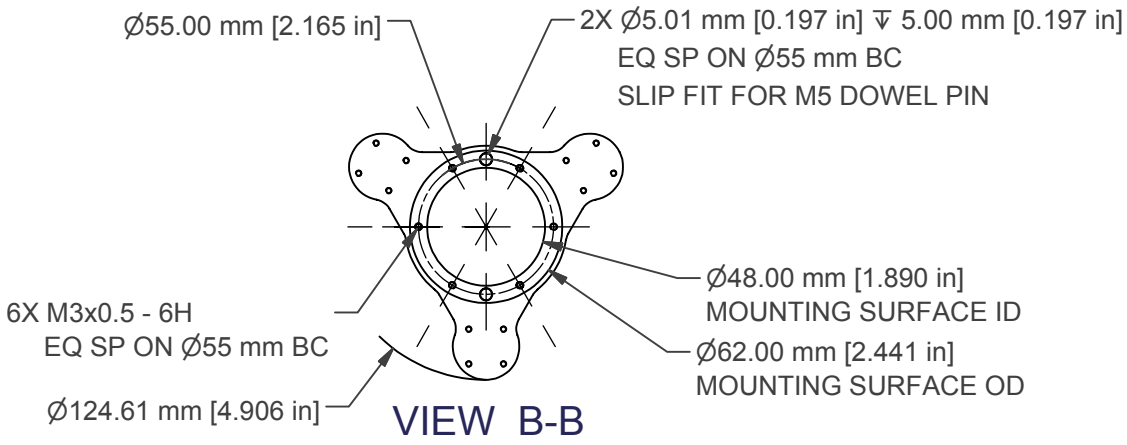
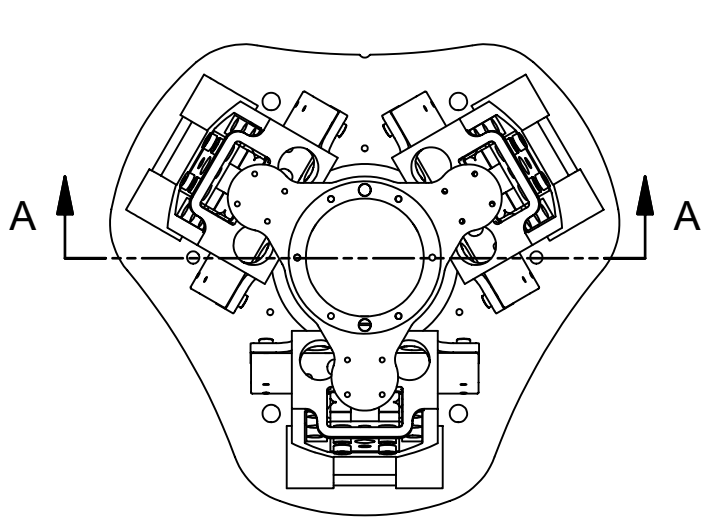
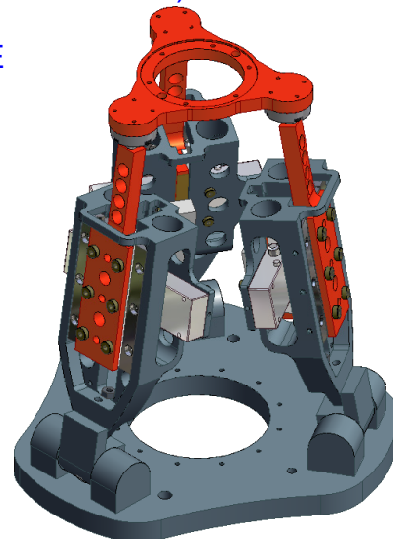


STANDARD FEATURES

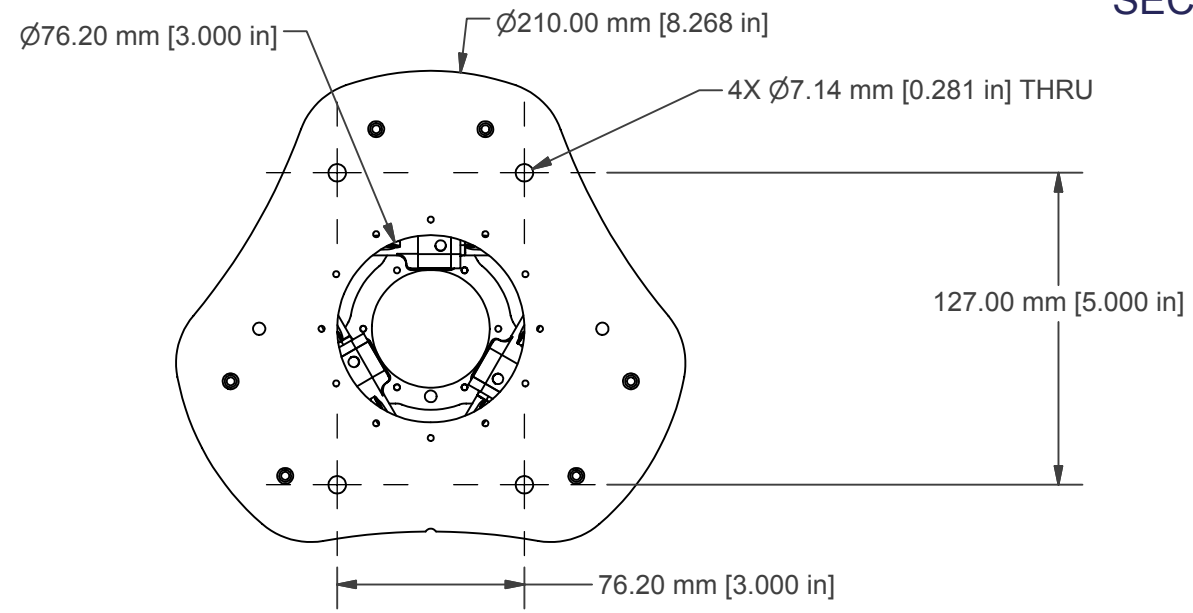
MAXIMUM Z STROKE: 45mm
PITCH & ROLL RANGE: +/- 24 degrees
 RANGE DEFINED AT MIDDLE OF Z STROKE
MOTORS: (6) HR-2 CERAMIC SERVO
FORCE, STANDARD: 48 N
TRIPOD SPEED: 200mm/sec
ENCODERS: (3) LINEAR OPTICAL
ENCODER OUTPUT: ANALOG 1 VOLT, PEAK TO PEAK
ENCODER RESOLUTION: 5nm
BEARINGS: PRECISION CROSSED ROLLER,
 PRECISION SPHERICAL JOINT &
 PRECISION BALL BEARINGS
STRUCTURE: ALUMINUM 6061-T6
ENVIRONMENT: STANDARD, CLEAN ROOM, VACUUM
 10e-7 TORR, AND VACUUM 10e-10 TORR
TEMPERATURE: 0 to 50 DEG C
HUMIDITY: 10% to 80% NON-CONDENSING

INCLUDED EQUIPMENT

MOTION CONTROLLERS (DELTA TAU)
 MOTOR AMPLIFIERS
 SOFTWARE AND LICENSE



SECTION A-A



ALIO INDUSTRIES PROPRIETARY INFORMATION

11919 W I-70 FRONTAGE ROAD NORTH, UNIT 119, WHEAT RIDGE, CO 80033 USA
 (Tel) 303.339.7500 - SALES@ALIOINDUSTRIES.COM - WWW.ALIOINDUSTRIES.COM

DRAWN	NBROWN	4/28/2005
CHECKED		
Tolerances:		
x.x ± .04 in		
x.xx ± .02 in		
x.xxx ± .005 in		
MATERIAL		

TITLE		
AI-TRI-HR2		
SIZE	DWG NO	REV
B	00524	001
SCALE	ALIO STD TEMPLATE - REV 004	SHEET 1 OF 1