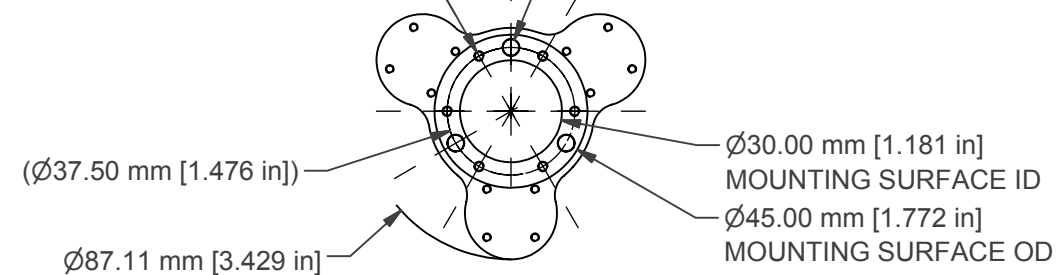
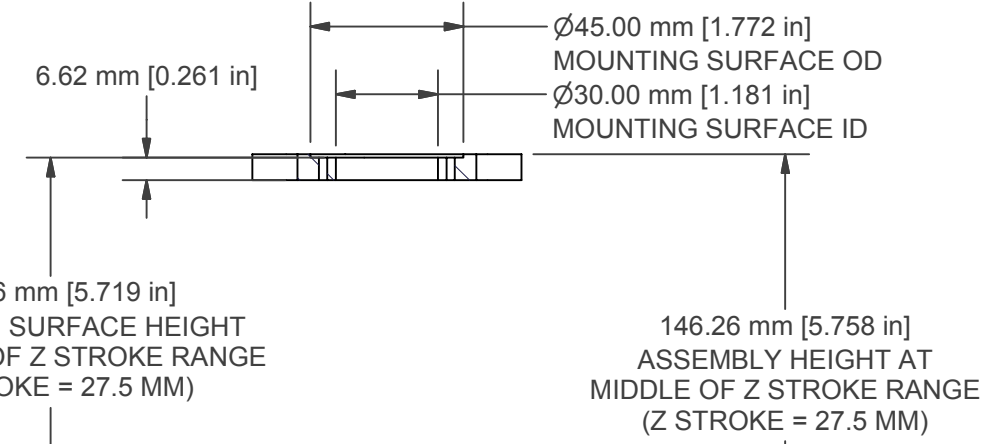


6X M3x0.5 - 6H
EQ SP ON Ø37.50 mm BC

3X Ø5.01 mm [0.197 in] ∇ 5.00 mm [0.197 in]
EQ SP ON Ø37.50 mm BC
SLIP FIT FOR M5 DOWEL PIN



VIEW B-B



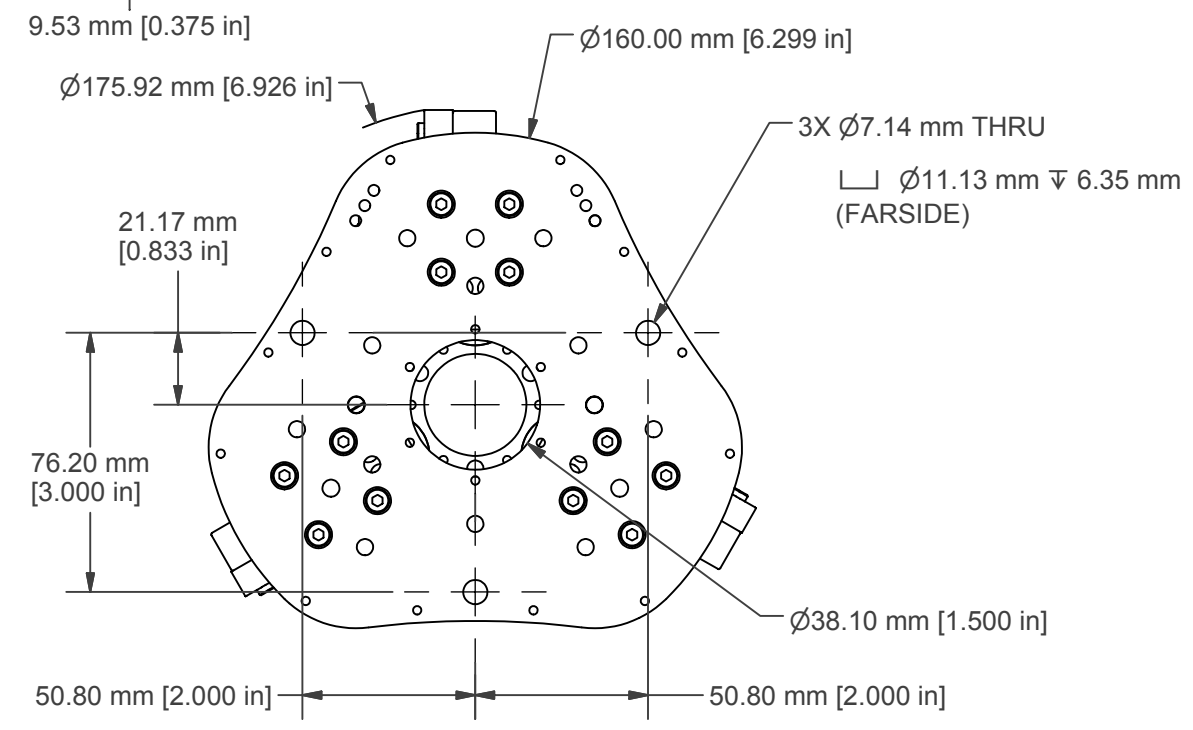
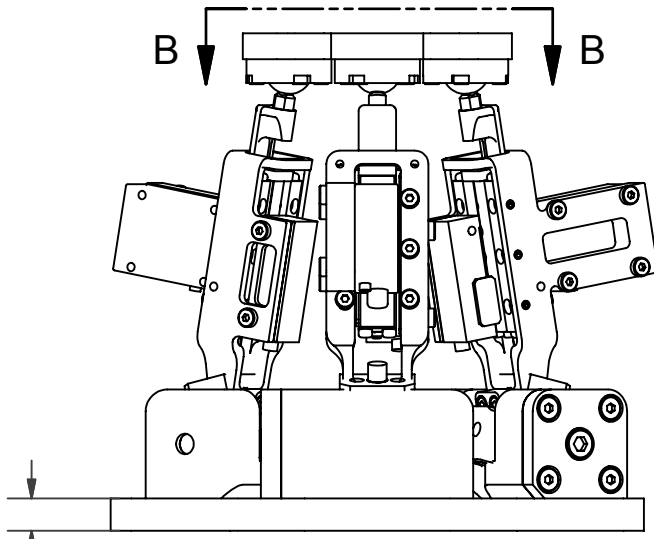
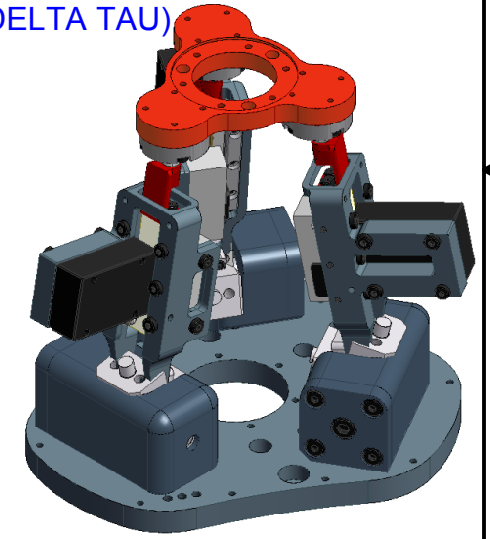
SECTION A-A

STANDARD FEATURES

MAXIMUM Z STROKE: 27.5mm
 PITCH & ROLL RANGE: +/- 24 degrees
 RANGE DEFINED AT MIDDLE OF Z STROKE
 MOTORS: (3) HR-2 CERAMIC SERVO
 FORCE, STANDARD: 24 N
 TRIPOD SPEED: 200mm/sec
 ENCODERS: (3) LINEAR OPTICAL
 ENCODER OUTPUT: ANALOG 1 VOLT, PEAK TO PEAK
 ENCODER RESOLUTION: 5nm
 BEARINGS: PRECISION CROSSED ROLLER,
 PRECISION SPHERICAL JOINT &
 PRECISION BALL BEARINGS
 STRUCTURE: ALUMINUM 6061-T6
 ENVIRONMENT: STANDARD, CLEAN ROOM, VACUUM
 10e-7 TORR, AND VACUUM 10e-10 TORR
 TEMPERATURE: 0 to 50 DEG C
 HUMIDITY: 10% to 80% NON-CONDENSING
 TOTAL MASS: 1.7 kg
 MOVING MASS: 0.33 kg

INCLUDED EQUIPMENT

MOTION CONTROLLERS (DELTA TAU)
 MOTOR AMPLIFIERS
 SOFTWARE AND LICENSE



ALIO INDUSTRIES PROPRIETARY INFORMATION

11919 W I-70 FRONTAGE ROAD NORTH, UNIT 119, WHEAT RIDGE, CO 80033 USA
 (Tel) 303.339.7500 - SALES@ALIOINDUSTRIES.COM - WWW.ALIOINDUSTRIES.COM

DRAWN	NBROWN	5/5/2005
CHECKED		
Tolerances:		
x.x ± .04 in		
x.xx ± .02 in		
x.xxx ± .005 in		
MATERIAL		

AI-TRI-HR2-SS		
SIZE	DWG NO	REV
B	0010-00535	002
SCALE	ALIO STD TEMPLATE - REV 004	SHEET 1 OF 1