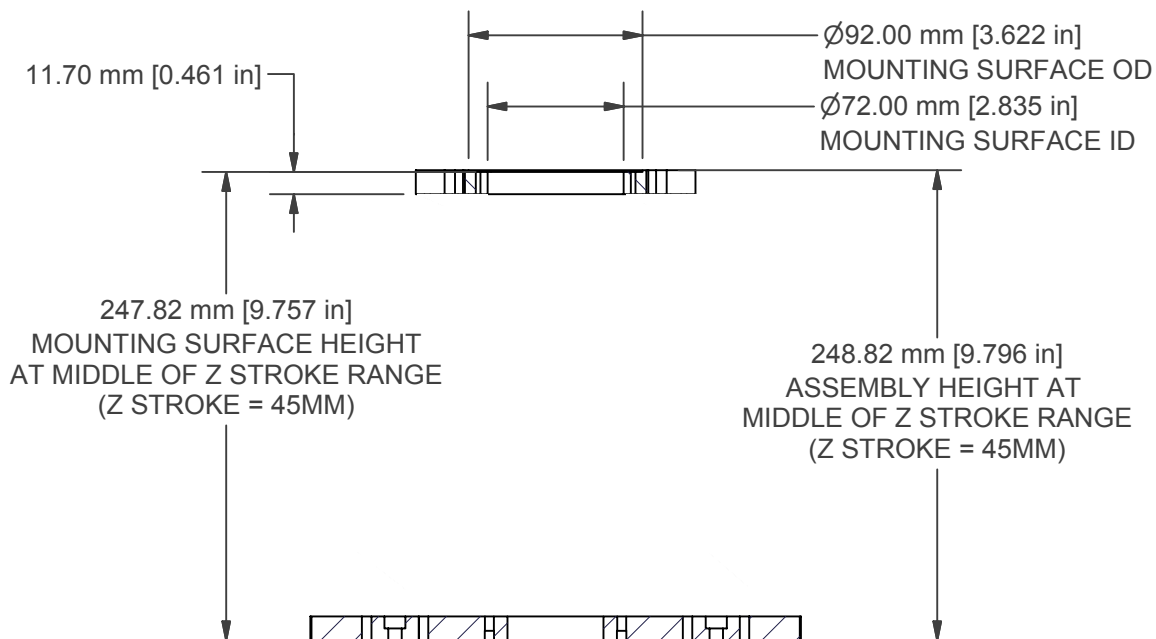
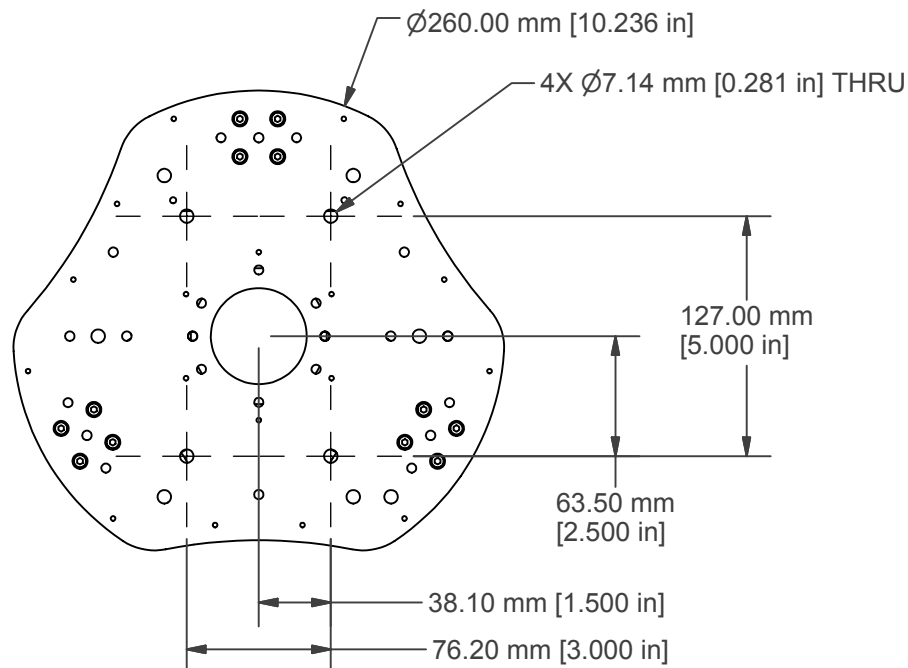


VIEW B-B



SECTION A-A

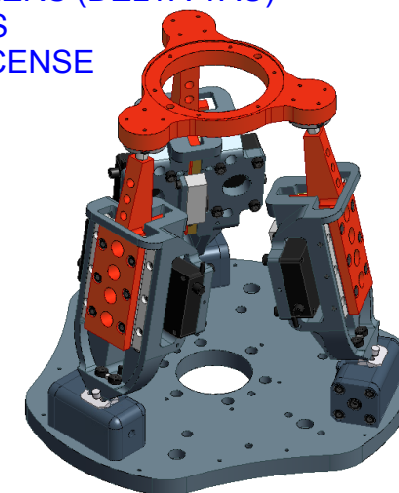


**STANDARD FEATURES**

- MAXIMUM Z STROKE: 45mm
- PITCH & ROLL RANGE: +/- 24 degrees
- RANGE DEFINED AT MIDDLE OF Z STROKE
- MOTORS: (6) HR-4 CERAMIC SERVO
- FORCE, STANDARD: 96 N
- TRIPOD SPEED: 200mm/sec
- ENCODERS: (3) LINEAR OPTICAL
- ENCODER OUTPUT: ANALOG 1 VOLT, PEAK TO PEAK
- ENCODER RESOLUTION: 5nm
- BEARINGS: PRECISION CROSSED ROLLER, PRECISION SPHERICAL JOINT & PRECISION BALL BEARINGS
- STRUCTURE: ALUMINUM 6061-T6
- ENVIRONMENT: STANDARD, CLEAN ROOM, VACUUM 10e-7 TORR, AND VACUUM 10e-10 TORR
- TEMPERATURE: 0 to 50 DEG C
- HUMIDITY: 10% to 80% NON-CONDENSING
- TOTAL MASS: 6.0 kg
- MOVING MASS: 1.2 kg

**INCLUDED EQUIPMENT**

- MOTION CONTROLLERS (DELTA TAU)
- MOTOR AMPLIFIERS
- SOFTWARE AND LICENSE



ALIO INDUSTRIES PROPRIETARY INFORMATION

11919 W I-70 FRONTAGE ROAD NORTH, UNIT 119, WHEAT RIDGE, CO 80033 USA  
(Tel) 303.339.7500 - SALES@ALIOINDUSTRIES.COM - WWW.ALIOINDUSTRIES.COM

DRAWN		5/5/2005			
NBROWN		5/5/2005			
CHECKED				TITLE	
				AI-TRI-HR4	
Tolerances:				SIZE	
x.x ± .04 in				B	
x.xx ± .02 in				DWG NO	
x.xxx ± .005 in				0010-00525	
MATERIAL				REV	
				002	
SCALE		ALIO STD TEMPLATE - REV 004		SHEET 1 OF 1	