

**STANDARD FEATURES**

- MOTORS: DUAL HR-4  
STD FORCE 32 N  
(CONSULT FACTORY FOR HIGHER FORCE)
- TRAVEL: 25mm
- SPEED: 250mm/sec
- ENCODER RESOLUTION: ANALOG 1 VOLT, PEAK TO PEAK  
OPTIONAL: 5um, 1um, 0.5um, 0.1um, 0.05um, 0.02um, 0.01um or 5nm USING 4096 INTERPOLATION  
(CONTROLLER DEPENDENT)
- SYSTEM REPEATABILITY: +/- 1 ENCODER COUNT  
(CONTROLLER DEPENDENT)
- HOME SENSOR: STANDARD
- BEARINGS: PRECISION CROSS ROLLER  
< 1.5um PARALLELISM
- BEARING DYNAMIC LOAD RATING: 1.8kN
- SYSTEM LOAD CAPACITY: APPLICATION DEPENDENT  
PLEASE CONSULT THE FACTORY
- ENCLOSURES: ALUMINUM 6061-T6  
STAINLESS STEEL OPTIONAL
- ENVIRONMENT: STANDARD, CLEANROOM, VACUUM  
10e-7 TORR, AND VACUUM 10e-10 TORR  
(CONSULT FACTORY)
- TEMPERATURE: 0 to 100 DEG C
- HUMIDITY: 10% to 80% NON-CONDENSING
- ASSEMBLY MASS: 0.60 kg

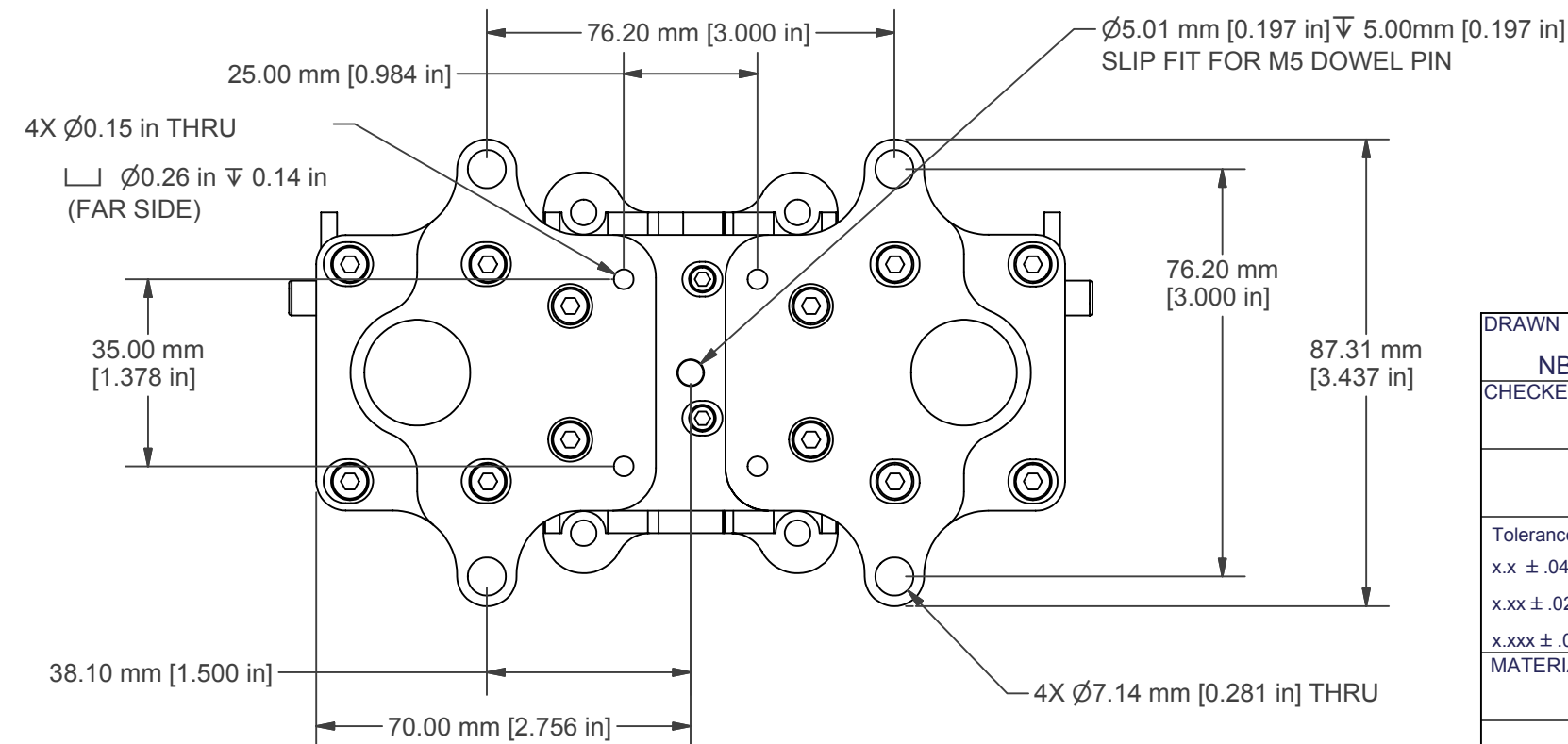
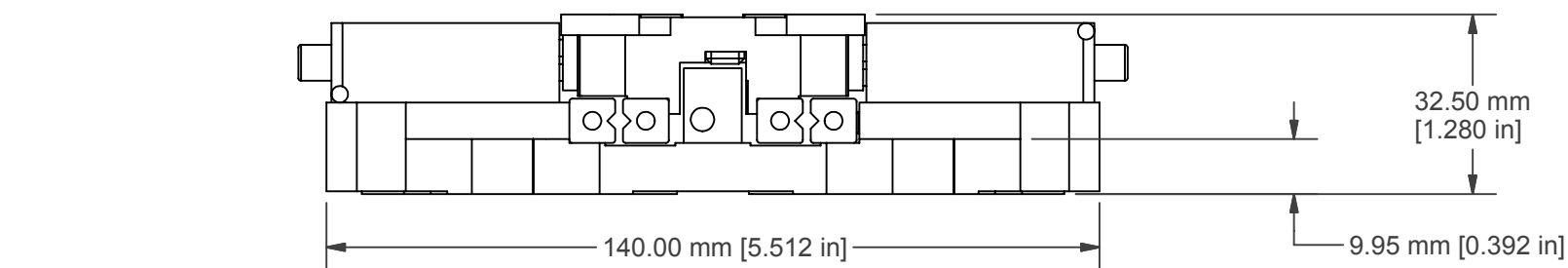
**ACCESSORIES**

MOTOR AMPLIFIER

**OPTIONAL EQUIPMENT**

MOTION CONTROLLERS

CUSTOM DESIGNS FOR OEM INTEGRATION



ALIO INDUSTRIES PROPRIETARY INFORMATION

11919 W I-70 FRONTAGE ROAD NORTH, UNIT 119, WHEAT RIDGE, CO 80033 USA  
(Tel) 303.339.7500 - SALES@ALIOINDUSTRIES.COM - WWW.ALIOINDUSTRIES.COM



DRAWN		NBROWN		2/9/2005	
CHECKED					
Tolerances:				TITLE	
x.x ± .04 in				AI-D4-2500E	
x.xx ± .02 in					
x.xxx ± .005 in					
MATERIAL		SIZE	DWG NO	REV	
		B	0010-00081	004	
SCALE				SHEET	1 OF 1