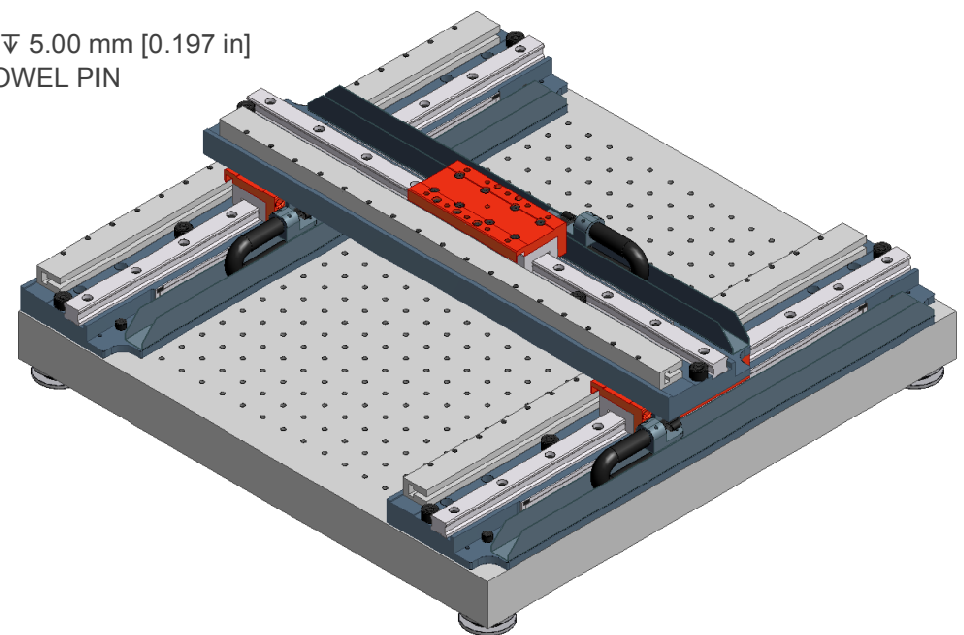


**CARRIAGE MOUNTING
DETAIL A**



MOUNTING STAND NOT SHOWN
STAND DIMENSIONS: 36.0 IN X 36.0 IN X 36.0 IN

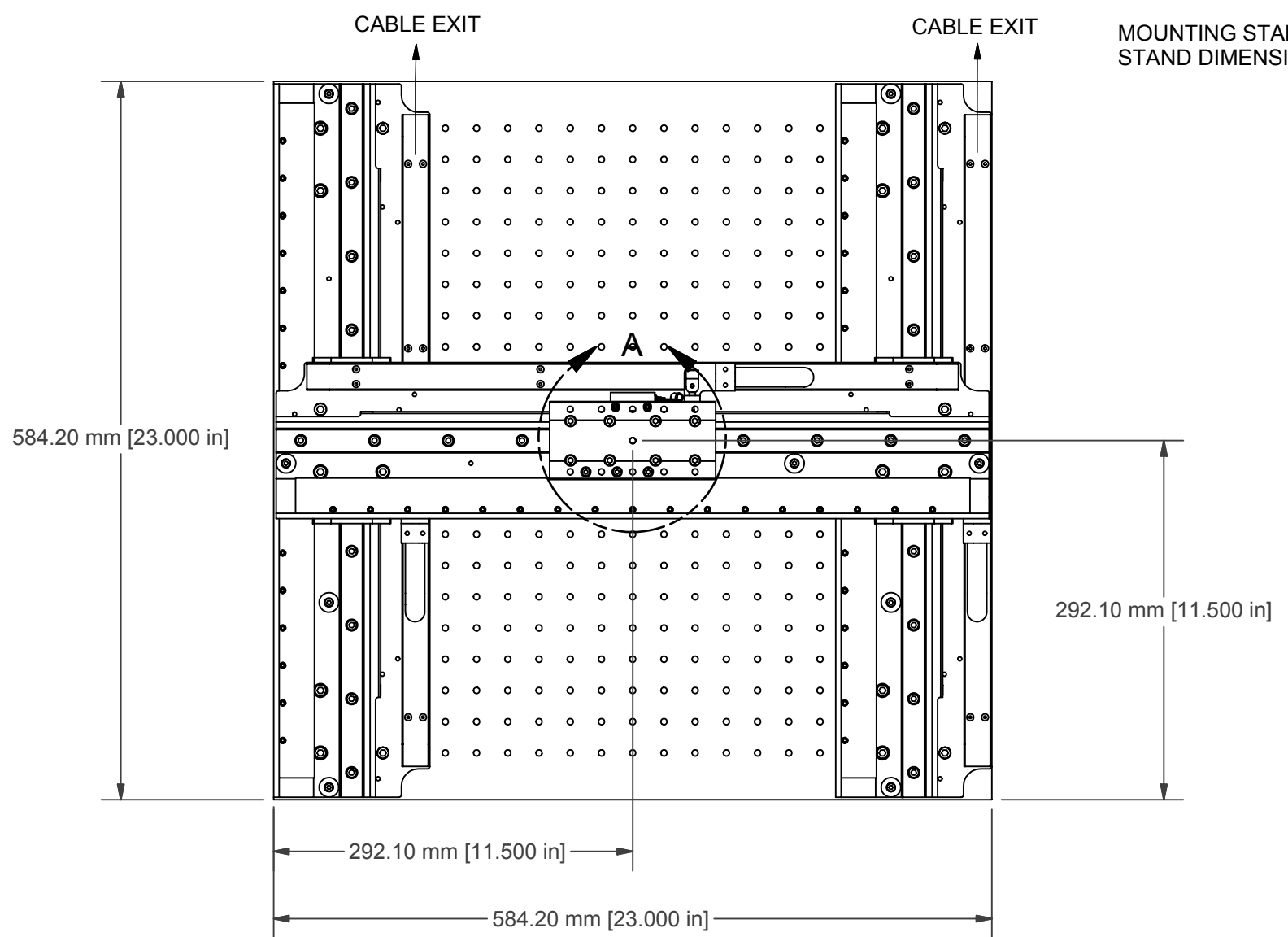
- STANDARD FEATURES**
- MOTOR: IRONLESS CORE LINEAR MOTOR
 - FORCE CONSTANT: 8.9 N/AMP
 - PEAK FORCE: 84 N
 - X AND Y AXIS TRAVEL: 400mm
 - SPEED: > 1 m/sec
 - ENCODER RESOLUTION: ANALOG 1 VOLT, PEAK TO PEAK
 - 5nm RESOLUTION WITH 4096x INTERPOLATION
 - OPTIONAL: 5um, 1um, 0.5um, 0.1um, 0.05um, AND 0.02um
 - SYSTEM REPEATABILITY: +/- 2 ENCODER COUNTS
(CONTROLLER DEPENDENT)
 - HOME SENSOR: STANDARD
 - LIMIT SWITCH: STANDARD (@ +/- 203.5 mm)
(CONSULT FACTORY FOR CUSTOM PLACEMENT)
 - HARD STOP: STANDARD
 - BEARINGS: PRECISION RECIRCULATING BALL RAIL
 - BEARING DYNAMIC LOAD RATING: 10.7kN
 - MATERIALS: ALUMINUM 6061-T6
 - STAINLESS STEEL OPTIONAL
 - ENVIRONMENT: STANDARD, CLEAN ROOM, VACUUM
 - 10e-6 TORR (CONSULT FACTORY)
 - TEMPERATURE: 0 to 100 DEG C
 - HUMIDITY: 10% to 80% NON-CONDENSING
 - ASSEMBLY MASS: 37 kg
 - STAND MASS: TBD

- ACCESSORIES**
- MOTOR AMPLIFIER
 - DIGITAL ENCODER INTERPOLATOR

- OPTIONAL EQUIPMENT**
- MOTION CONTROLLERS

CUSTOM DESIGNS FOR OEM INTEGRATION

ALIO INDUSTRIES PROPRIETARY INFORMATION
11919 W I-70 FRONTAGE ROAD NORTH, UNIT 119, WHEAT RIDGE, CO 80033 USA
(Tel) 303.339.7500 - SALES@ALIOINDUSTRIES.COM - WWW.ALIOINDUSTRIES.COM



DRAWN NBROWN		5/8/2006			
CHECKED					
Tolerances: x.x ± .04 in x.xx ± .01 in x.xxx ± .005 in				Surface Roughness: $\sqrt{\text{RMS MAX.}}$	
MATERIAL				SIZE B	REV 001
FINISH SEE NOTES				DWG NO 0010-00790	SCALE ALIO STD TEMPLATE - REV 005
				SHEET 1	OF 1