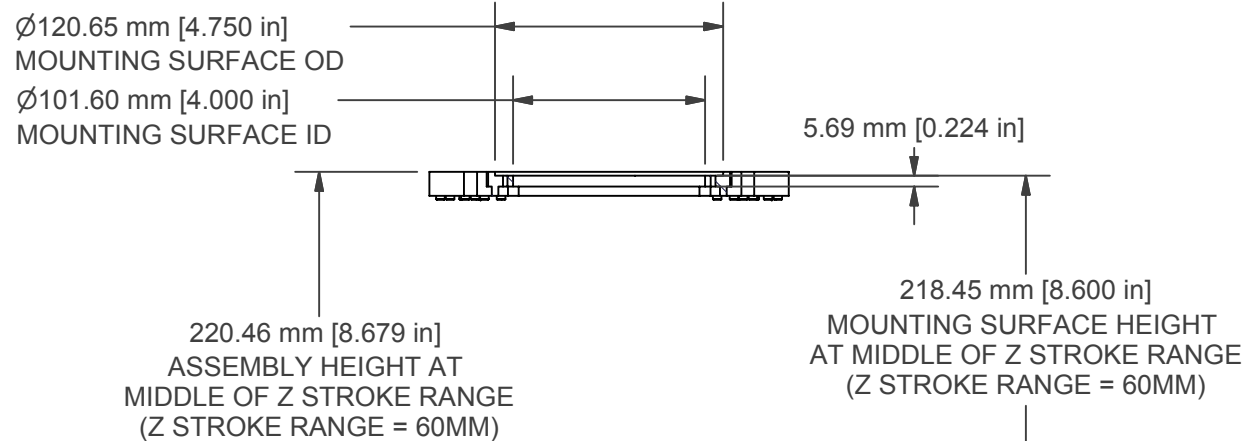
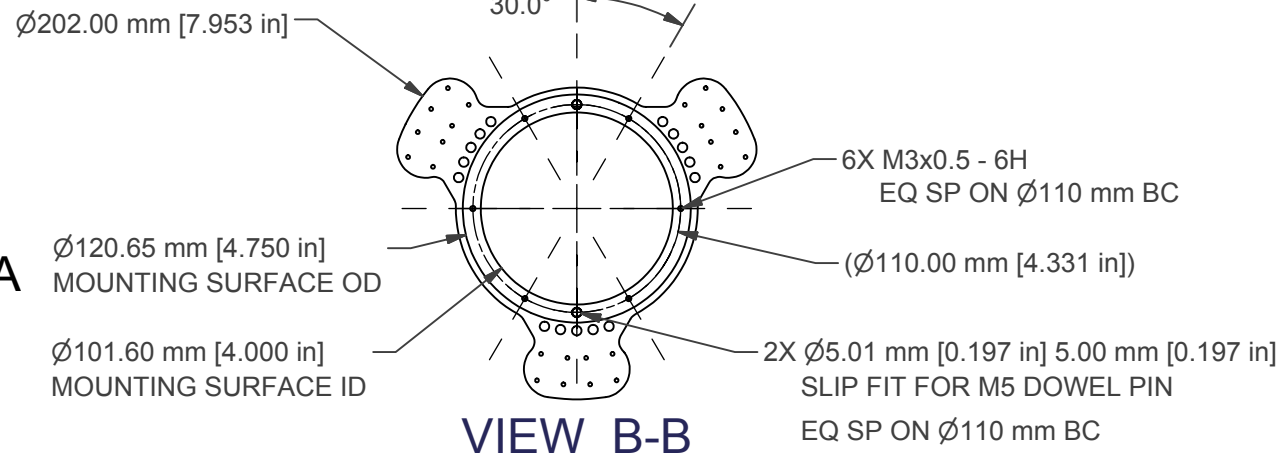
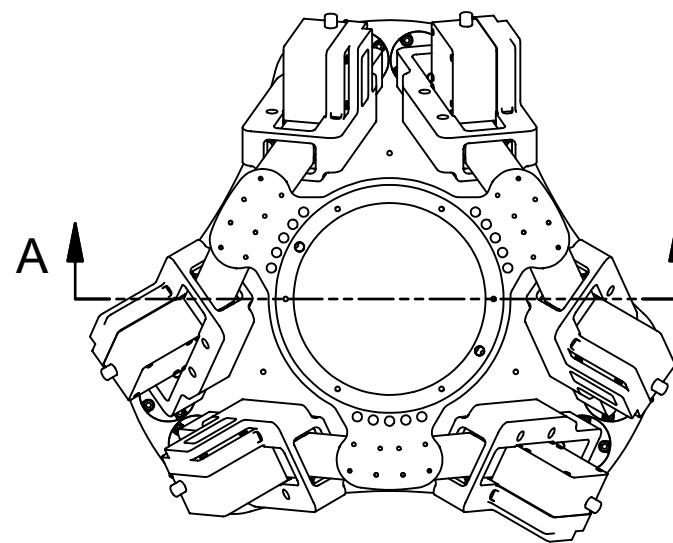
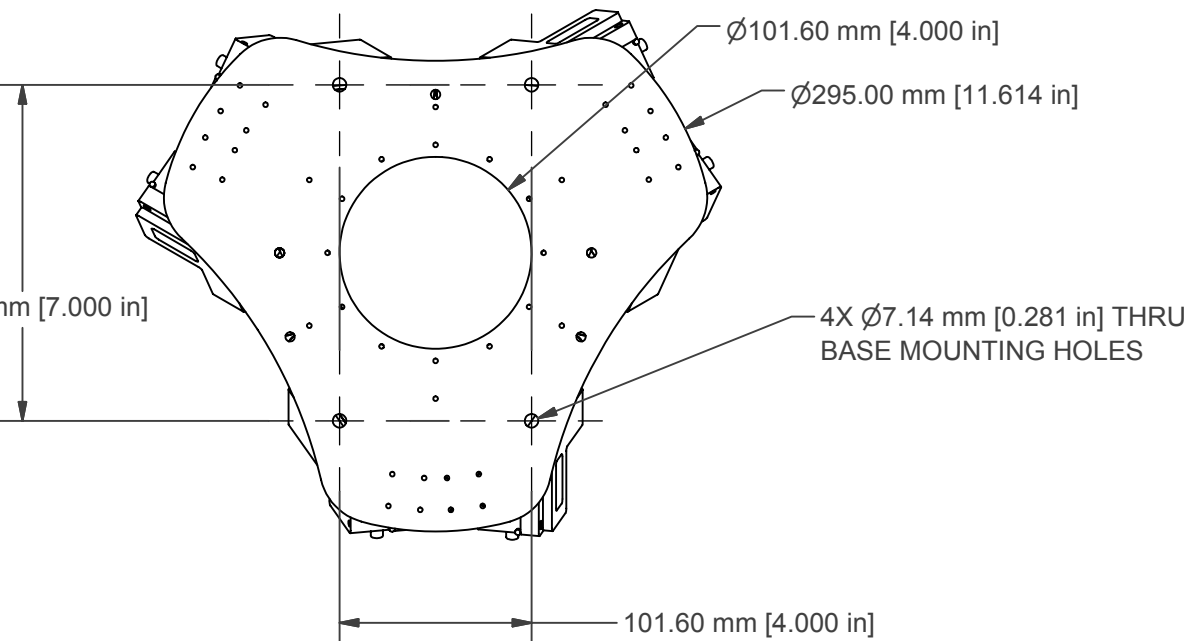


4 3 2 1



SECTION A-A

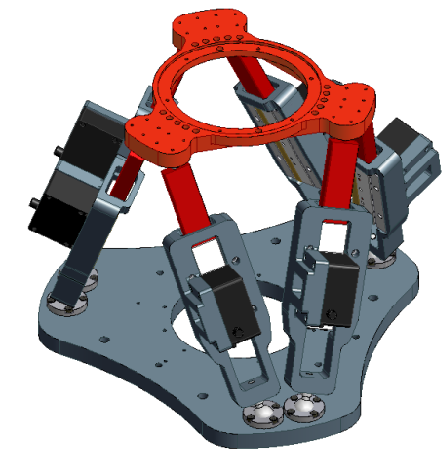


STANDARD FEATURES

LINEAR WORKING ENVELOPE: 35mm CUBE
 MAXIMUM Z STROKE: 60mm
 PITCH, YAW, ROLL RANGE: +/- 20 degrees
 DEFINED AT X=0, Y=0, & Z=MIDSTROKE
 MOTORS: (6) HR-8 CERAMIC SERVO
 FORCE, STANDARD: 192 N
 HEXAPOD SPEED: 200mm/sec
 ENCODERS: (6) LINEAR OPTICAL
 ENCODER OUTPUT: ANALOG 1 VOLT, PEAK TO PEAK
 ENCODER RESOLUTION: 5nm
 BEARINGS: PRECISION CROSSED ROLLER &
 PRECISION SPHERICAL JOINT
 STRUCTURE: ALUMINUM 6061-T6
 ENVIRONMENT: STANDARD, CLEAN ROOM, VACUUM
 10e-7 TORR, AND VACUUM 10e-10 TORR
 TEMPERATURE: 0 to 50 DEG C
 HUMIDITY: 10% to 80% NON-CONDENSING

INCLUDED EQUIPMENT

MOTION CONTROLLERS (DELTA TAU)
 MOTOR AMPLIFIERS
 SOFTWARE AND LICENSE



ALIO INDUSTRIES PROPRIETARY INFORMATION

11919 W I-70 FRONTAGE ROAD NORTH, UNIT 119, WHEAT RIDGE, CO 80033 USA
 (Tel) 303.339.7500 - SALES@ALIOINDUSTRIES.COM - WWW.ALIOINDUSTRIES.COM

DRAWN				
NBROWN				3/11/2005
CHECKED		TITLE		
		AI-HEX-HR8-SS		
Tolerances:		SIZE	DWG NO	
x.x ± .04 in		B	00485	
x.xx ± .02 in				REV
x.xxx ± .005 in				001
MATERIAL		SCALE	SHEET 1 OF 1	

4 3 2 1