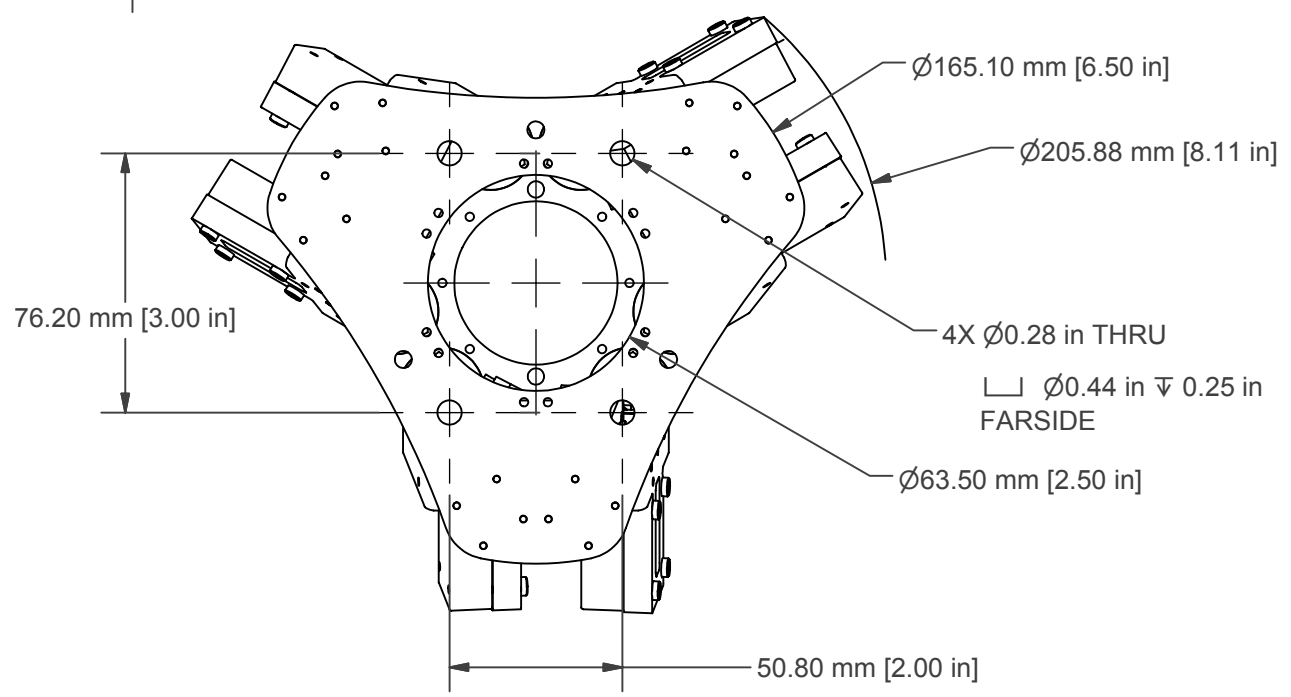
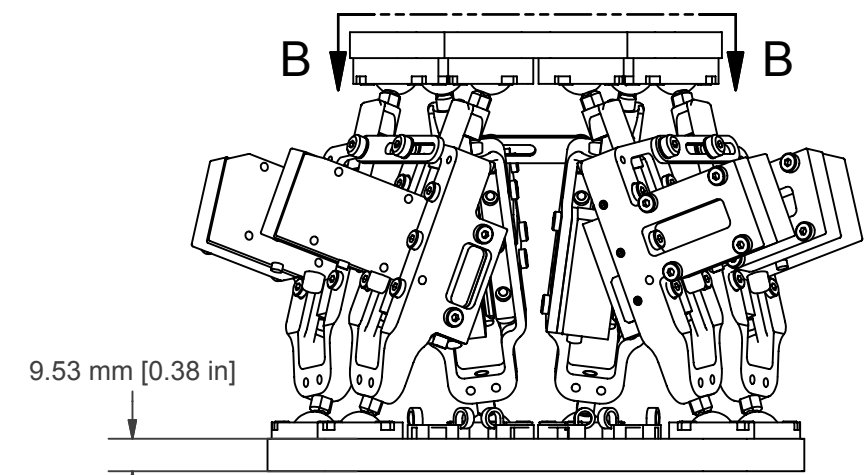
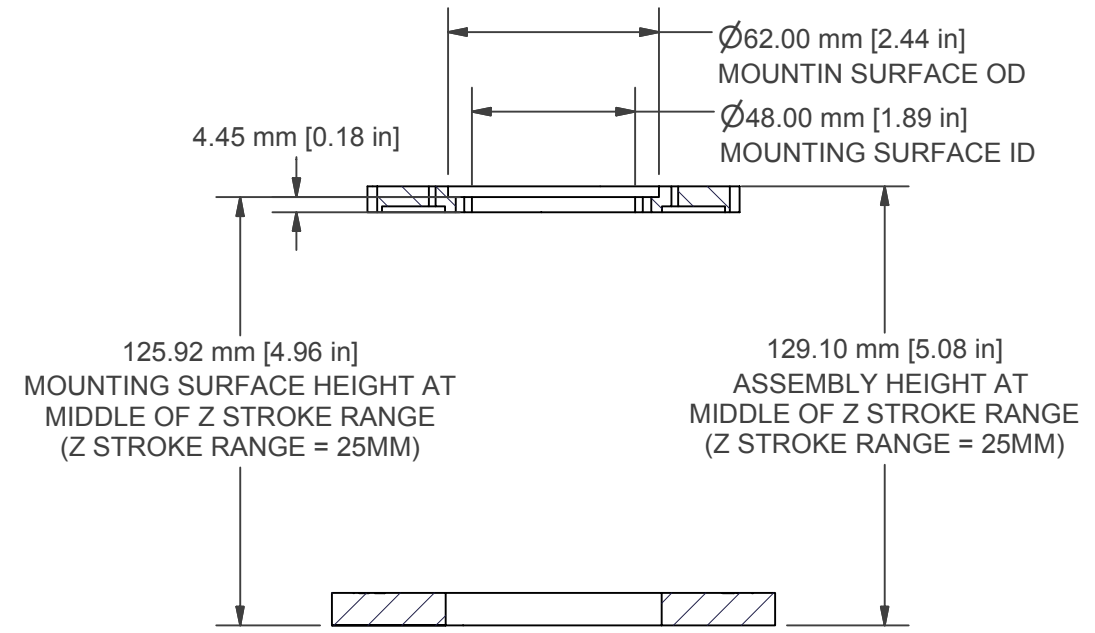
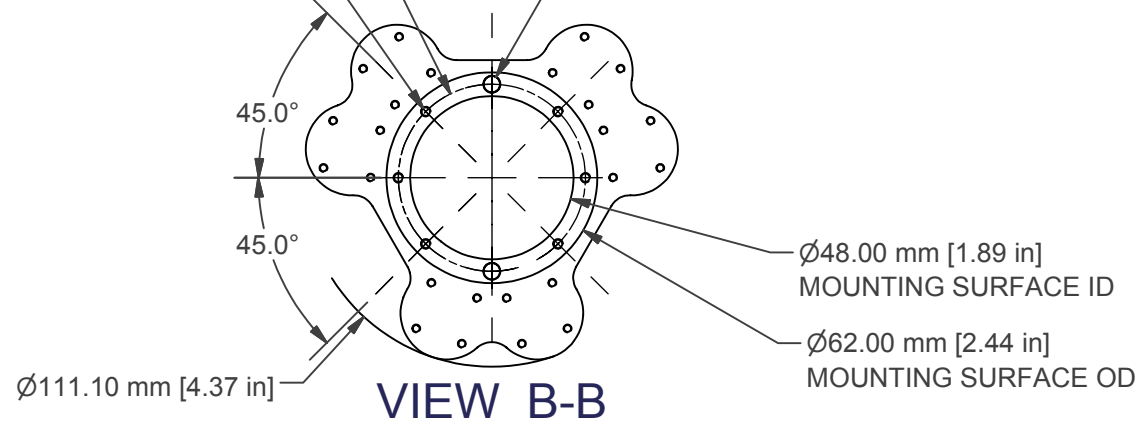


6X M3x0.5 - 6H  
SP AS SHOWN ON Ø55 mm BC

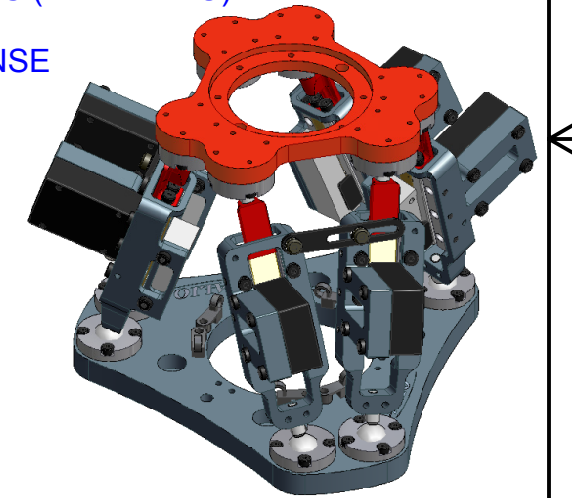
(Ø55.00 mm [2.17 in])

2X Ø5.01 mm [0.20 in] ∇ 3.50 mm [0.138 in]  
SLIP FIT FOR M5 DOWEL PIN  
EQ SP ON Ø55 mm BC



**STANDARD FEATURES**  
 LINEAR WORKING ENVELOPE: 15mm CUBE  
 MAXIMUM Z STROKE: 25mm  
 PITCH, YAW, ROLL RANGE: +/- 20 degrees  
 DEFINED AT X=0, Y=0, & Z=MIDSTROKE  
 MOTORS: (6) HR-2 CERAMIC SERVO  
 FORCE, STANDARD: 48 N  
 HEXAPOD SPEED: 200mm/sec  
 ENCODERS: (6) LINEAR OPTICAL  
 ENCODER OUTPUT: ANALOG 1 VOLT, PEAK TO PEAK  
 ENCODER RESOLUTION: 5nm  
 BEARINGS: PRECISION CROSSED ROLLER &  
 PRECISION SPHERICAL JOINT  
 STRUCTURE: ALUMINUM 6061-T6  
 ENVIRONMENT: STANDARD, CLEAN ROOM, VACUUM  
 10e-7 TORR, AND VACUUM 10e-10 TORR  
 TEMPERATURE: 0 to 50 DEG C  
 HUMIDITY: 10% to 80% NON-CONDENSING  
 TOTAL MASS: 2.0 kg  
 MOVING MASS: 0.5 kg

**INCLUDED EQUIPMENT**  
 MOTION CONTROLLERS (DELTA TAU)  
 MOTOR AMPLIFIERS  
 SOFTWARE AND LICENSE



ALIO INDUSTRIES PROPRIETARY INFORMATION  
 11919 W I-70 FRONTAGE ROAD NORTH, UNIT 119, WHEAT RIDGE, CO 80033 USA  
 (Tel) 303.339.7500 - SALES@ALIOINDUSTRIES.COM - WWW.ALIOINDUSTRIES.COM

DRAWN		NBROWN		3/1/2005	
CHECKED					
Tolerances:				TITLE	
x.x ± .04 in				<b>AI-HEX-HR2-SS</b>	
x.xx ± .02 in					
x.xxx ± .005 in					
MATERIAL		SIZE	DWG NO	REV	
		B	0010-00346	003	
SCALE				SHEET	1 OF 1