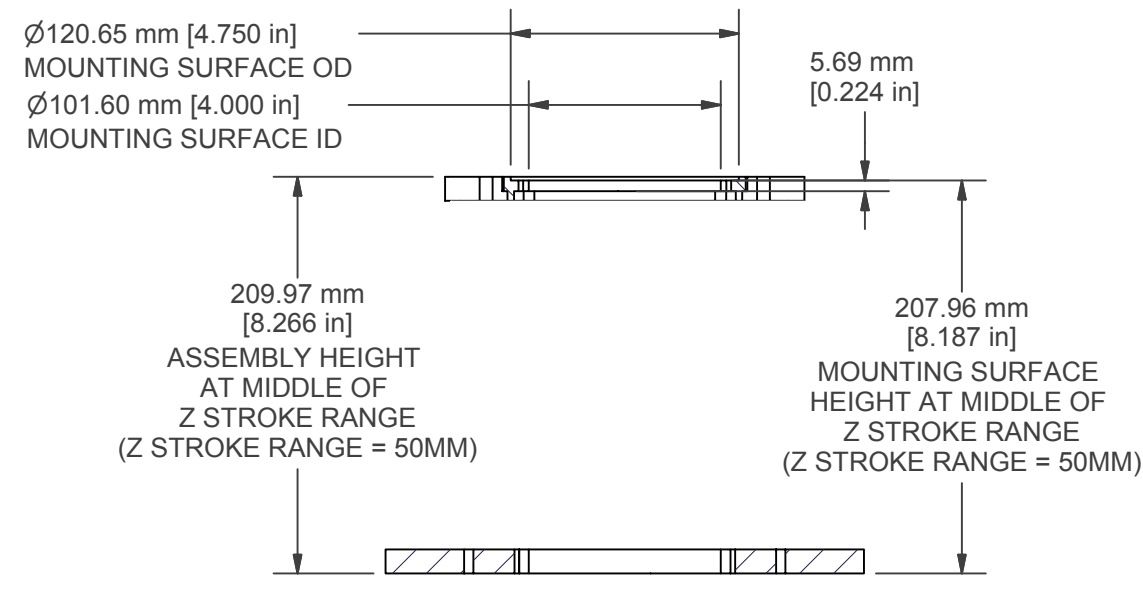
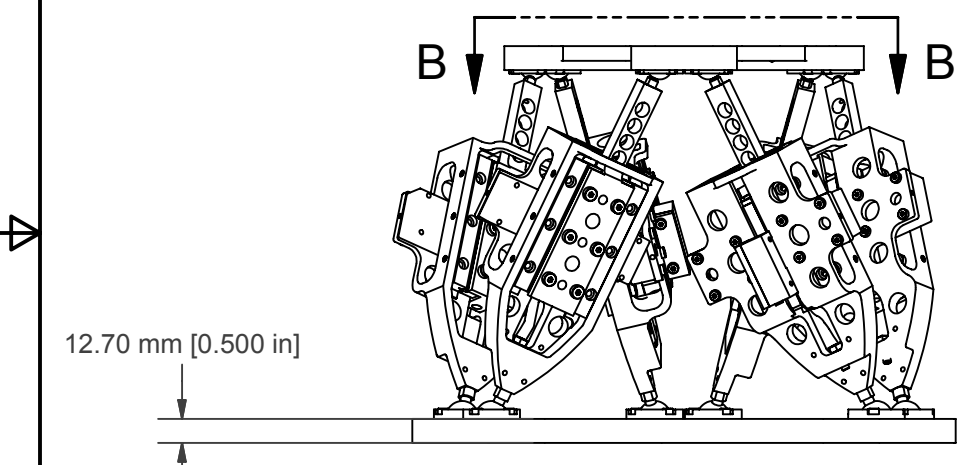
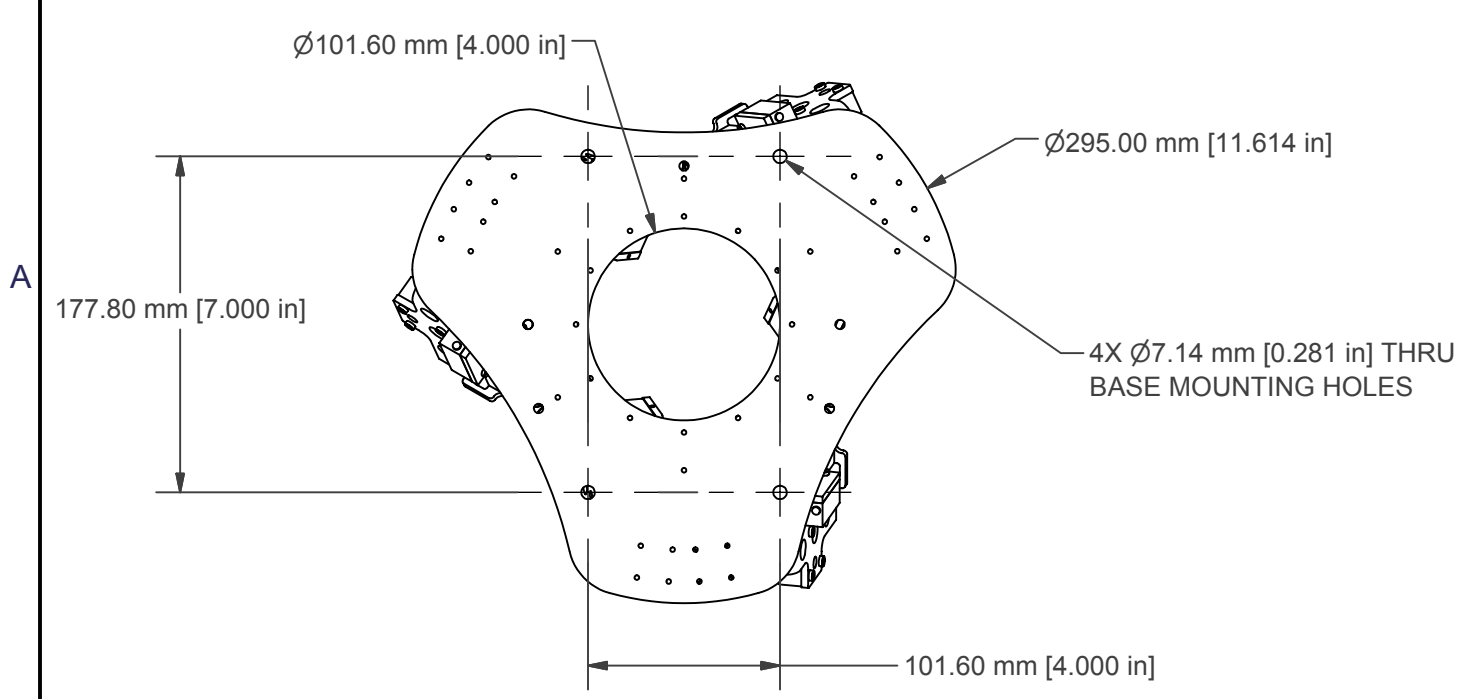
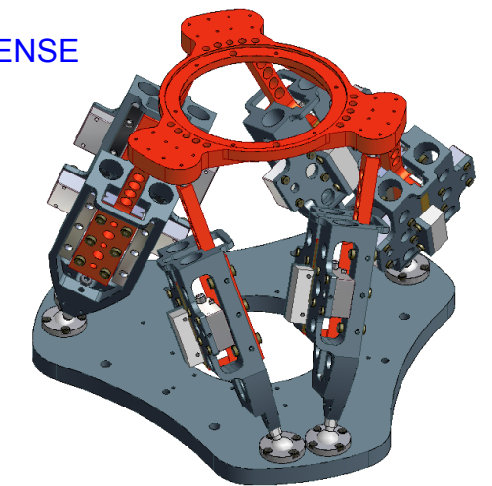


**STANDARD FEATURES**  
 LINEAR WORKING ENVELOPE: 28mm CUBE  
 MAXIMUM Z STROKE: 50mm  
 PITCH, YAW, ROLL RANGE: +/- 18 degrees  
 DEFINED AT X=0, Y=0, & Z=MIDSTROKE  
 MOTORS: (12) HR-2 CERAMIC SERVO  
 FORCE, STANDARD: 96 N  
 HEXAPOD SPEED: 200mm/sec  
 ENCODERS: (6) LINEAR OPTICAL  
 ENCODER OUTPUT: ANALOG 1 VOLT, PEAK TO PEAK  
 ENCODER RESOLUTION: 5nm  
 BEARINGS: PRECISION CROSSED ROLLER &  
 PRECISION SPHERICAL JOINT  
 STRUCTURE: ALUMINUM 6061-T6  
 ENVIRONMENT: STANDARD, CLEAN ROOM, VACUUM  
 10e-7 TORR, AND VACUUM 10e-10 TORR  
 TEMPERATURE: 0 to 50 DEG C  
 HUMIDITY: 10% to 80% NON-CONDENSING  
 TOTAL MASS: 7.0 kg  
 MOVING MASS: 1.5 kg



**INCLUDED EQUIPMENT**  
 MOTION CONTROLLERS (DELTA TAU)  
 MOTOR AMPLIFIERS  
 SOFTWARE AND LICENSE



ALIO INDUSTRIES PROPRIETARY INFORMATION  
 11919 W I-70 FRONTAGE ROAD NORTH, UNIT 119, WHEAT RIDGE, CO 80033 USA  
 (Tel) 303.339.7500 - SALES@ALIOINDUSTRIES.COM - WWW.ALIOINDUSTRIES.COM

DRAWN NBROWN 2/25/2005			
CHECKED			
Tolerances: x.x ± .04 in x.xx ± .02 in x.xxx ± .005 in		TITLE AI-HEX-HR2-V VACUUM HR2 HEXAPOD	
MATERIAL		SIZE B	DWG NO 00235
SCALE		REV 004	
		SHEET 1 OF 1	