

6X M3x0.5 - 6H  
EQ SP ON Ø37.50 mm BC

3X Ø5.01 mm [0.197 in] ∇ 5.00 mm [0.197 in]  
EQ SP ON Ø37.50 mm BC  
SLIP FIT FOR M5 DOWEL PIN

(Ø37.50 mm [1.476 in])

Ø87.11 mm [3.429 in]

Ø30.00 mm [1.181 in]  
MOUNTING SURFACE ID

Ø45.00 mm [1.772 in]  
MOUNTING SURFACE OD

VIEW B-B

6.62 mm [0.261 in]

Ø45.00 mm [1.772 in]  
MOUNTING SURFACE OD

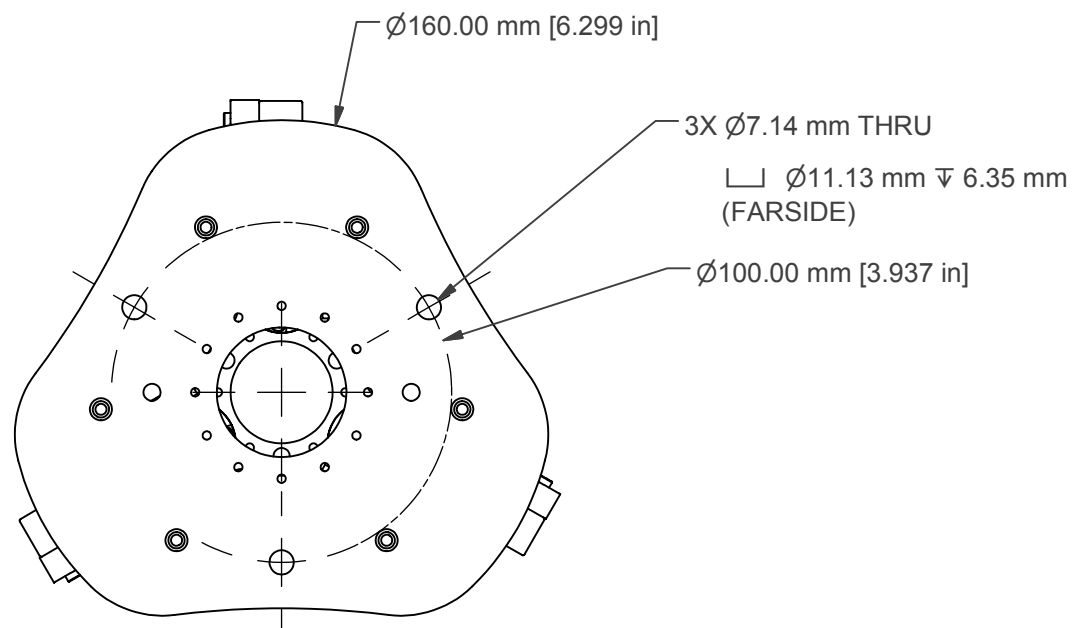
Ø30.00 mm [1.181 in]  
MOUNTING SURFACE ID

144.59 mm [5.692 in]  
MOUNTING SURFACE HEIGHT  
AT MIDDLE OF Z STROKE RANGE  
(Z STROKE = 27.5MM)

145.59 mm [5.732 in]  
ASSEMBLY HEIGHT AT  
MIDDLE OF Z STROKE RANGE  
(Z STROKE = 27.5MM)

SECTION A-A

9.53 mm [0.375 in]



Ø160.00 mm [6.299 in]

3X Ø7.14 mm THRU

□ Ø11.13 mm ∇ 6.35 mm  
(FARSIDE)

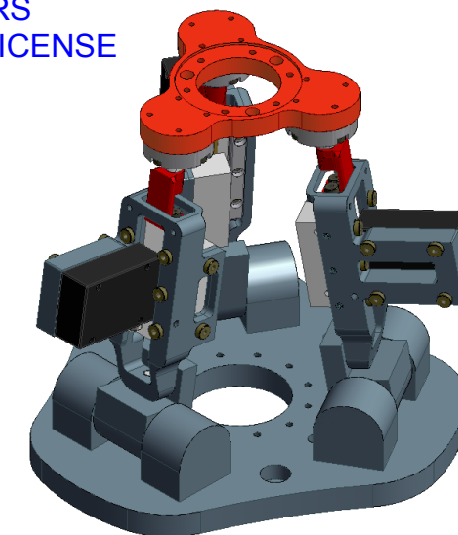
Ø100.00 mm [3.937 in]

**STANDARD FEATURES**

MAXIMUM Z STROKE: 27.5mm  
 PITCH & ROLL RANGE: +/- 30 degrees  
 MOTORS: (3) HR-2 CERAMIC SERVO  
 FORCE, STANDARD: 24 N  
 TRIPOD SPEED: 200mm/sec  
 ENCODERS: (3) LINEAR OPTICAL  
 ENCODER OUTPUT: ANALOG 1 VOLT, PEAK TO PEAK  
 ENCODER RESOLUTION: 5nm  
 SYSTEM REPEATABILITY: 50nm SERVO (10nm DC MODE)  
 BEARINGS: PRECISION CROSSED ROLLER,  
 PRECISION SPHERICAL JOINT &  
 PRECISION BALL BEARINGS  
 ENCLOSURES: ALUMINUM 6061-T6  
 ENVIRONMENT: STANDARD, CLEAN ROOM, VACUUM  
 10e-7 TORR, AND VACUUM 10e-10 TORR  
 TEMPERATURE: 0 to 100 DEG C  
 HUMIDITY: 10% to 80% NON-CONDENSING

**INCLUDED EQUIPMENT**

MOTION CONTROLLERS (DELTA TAU)  
 MOTOR AMPLIFIERS  
 SOFTWARE AND LICENSE



ALIO INDUSTRIES PROPRIETARY INFORMATION

11919 W I-70 FRONTAGE ROAD NORTH, UNIT 119, WHEAT RIDGE, CO 80033 USA  
 (Tel) 303.339.7500 - SALES@ALIOINDUSTRIES.COM - WWW.ALIOINDUSTRIES.COM

DRAWN		NBROWN		5/5/2005				
CHECKED								
Tolerances:						<b>AI-TRI-HR2-SS</b>		
x.x ± .04 in								
x.xx ± .02 in								
x.xxx ± .005 in								
MATERIAL						SIZE	DWG NO	REV
						B	00535	001
SCALE		ALIO STD TEMPLATE - REV 004		SHEET		1 OF 1		