

6X M3x0.5 - 6H
EQ SP ON Ø67.5 mm BC

2X Ø5.01 mm [0.197 in] ∇ 5.00 mm [0.197 in]
EQ SP ON Ø67.5 mm BC
SLIP FIT FOR M5 DOWEL PIN

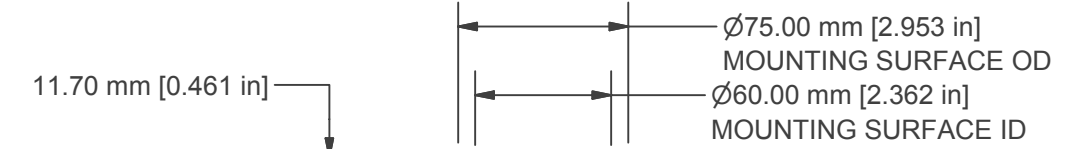
(Ø67.50 mm [2.657 in])

Ø60.00 mm [2.362 in]
MOUNTING SURFACE ID

Ø75.00 mm [2.953 in]
MOUNTING SURFACE OD

Ø137.11 mm [5.398 in]

VIEW B-B



11.70 mm [0.461 in]

Ø75.00 mm [2.953 in]
MOUNTING SURFACE OD

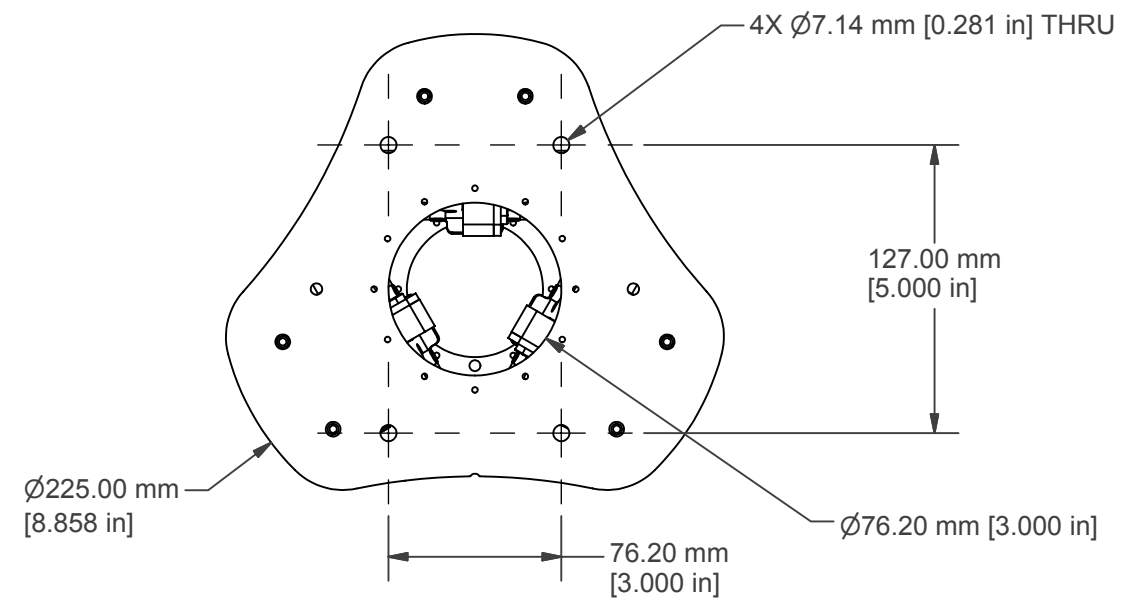
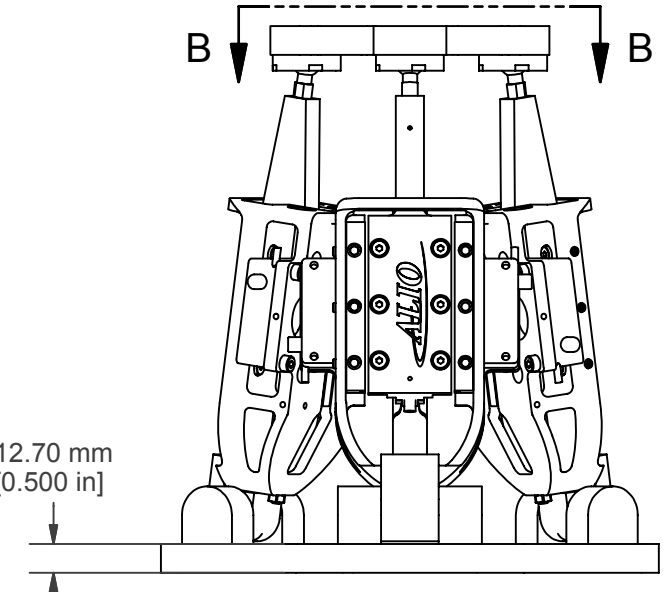
Ø60.00 mm [2.362 in]
MOUNTING SURFACE ID

240.01 mm [9.449 in]
MOUNTING SURFACE HEIGHT
AT MIDDLE OF Z STROKE RANGE
(Z STROKE = 45MM)

241.01 mm [9.489 in]
ASSEMBLY HEIGHT AT
MIDDLE OF Z STROKE RANGE
(Z STROKE = 45MM)

SECTION A-A

12.70 mm
[0.500 in]



4X Ø7.14 mm [0.281 in] THRU

127.00 mm
[5.000 in]

Ø225.00 mm
[8.858 in]

76.20 mm
[3.000 in]

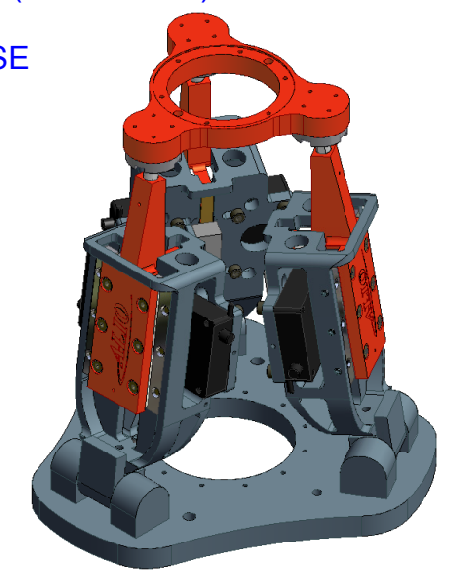
Ø76.20 mm [3.000 in]

STANDARD FEATURES

- MAXIMUM Z STROKE: 45mm
- PITCH & ROLL RANGE: +/- 28 degrees
- MOTORS: (6) HR-4 CERAMIC SERVO
- FORCE, STANDARD: 96 N
- TRIPOD SPEED: 200mm/sec
- ENCODERS: (3) LINEAR OPTICAL
- ENCODER OUTPUT: ANALOG 1 VOLT, PEAK TO PEAK
- ENCODER RESOLUTION: 5nm
- SYSTEM REPEATABILITY: 50nm SERVO (10nm DC MODE)
- BEARINGS: PRECISION CROSSED ROLLER,
PRECISION SPHERICAL JOINT &
PRECISION BALL BEARINGS
- ENCLOSURES: ALUMINUM 6061-T6
- ENVIRONMENT: STANDARD, CLEAN ROOM, VACUUM
10e-7 TORR, AND VACUUM 10e-10 TORR
- TEMPERATURE: 0 to 100 DEG C
- HUMIDITY: 10% to 80% NON-CONDENSING

INCLUDED EQUIPMENT

- MOTION CONTROLLERS (DELTA TAU)
- MOTOR AMPLIFIERS
- SOFTWARE AND LICENSE



ALIO INDUSTRIES PROPRIETARY INFORMATION

11919 W I-70 FRONTAGE ROAD NORTH, UNIT 119, WHEAT RIDGE, CO 80033 USA
(Tel) 303.339.7500 - SALES@ALIOINDUSTRIES.COM - WWW.ALIOINDUSTRIES.COM

DRAWN	
NBROWN	5/2/2005
CHECKED	
Tolerances:	
x.x ± .04 in	
x.xx ± .02 in	
x.xxx ± .005 in	
MATERIAL	

AI-TRI-HR4		
SIZE	DWG NO	REV
B	00525	001
SCALE	ALIO STD TEMPLATE - REV 004	SHEET 1 OF 1