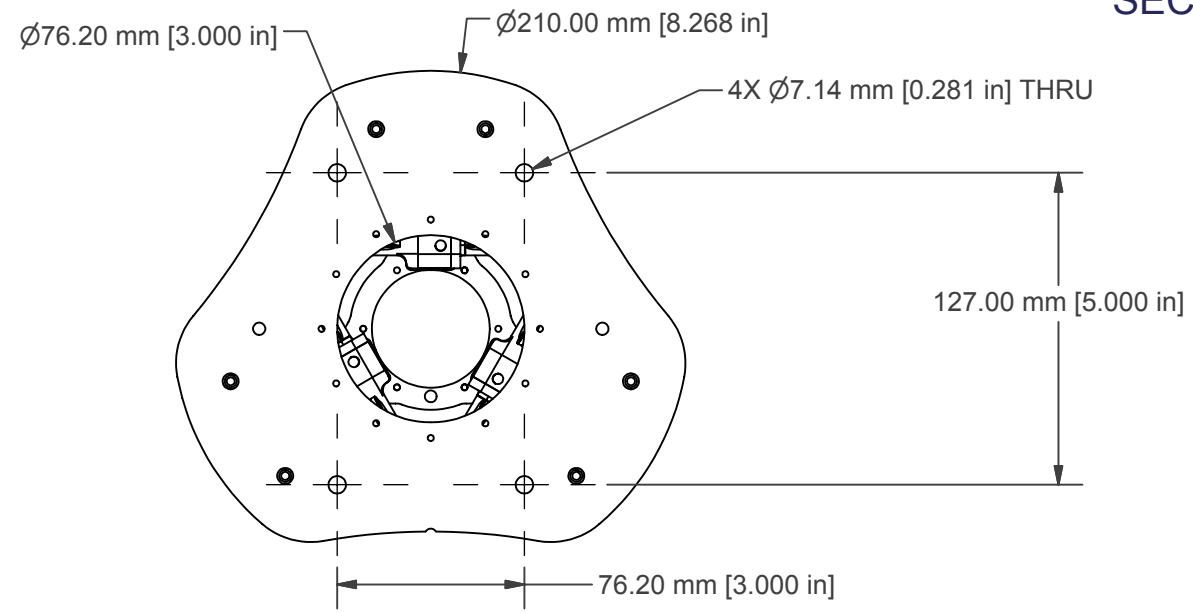
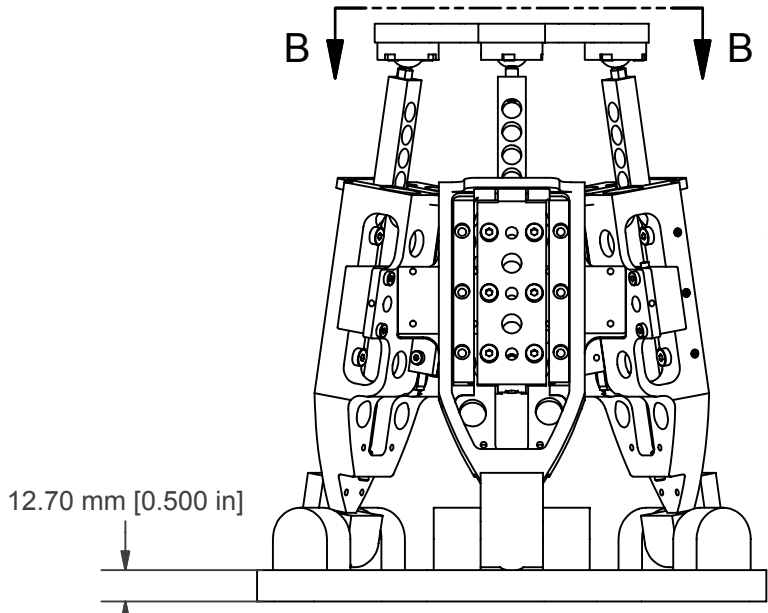
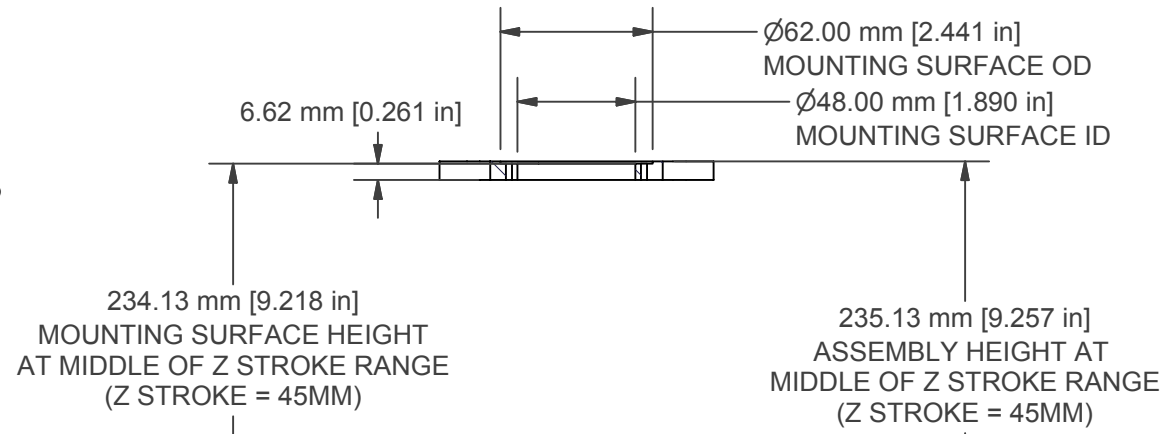
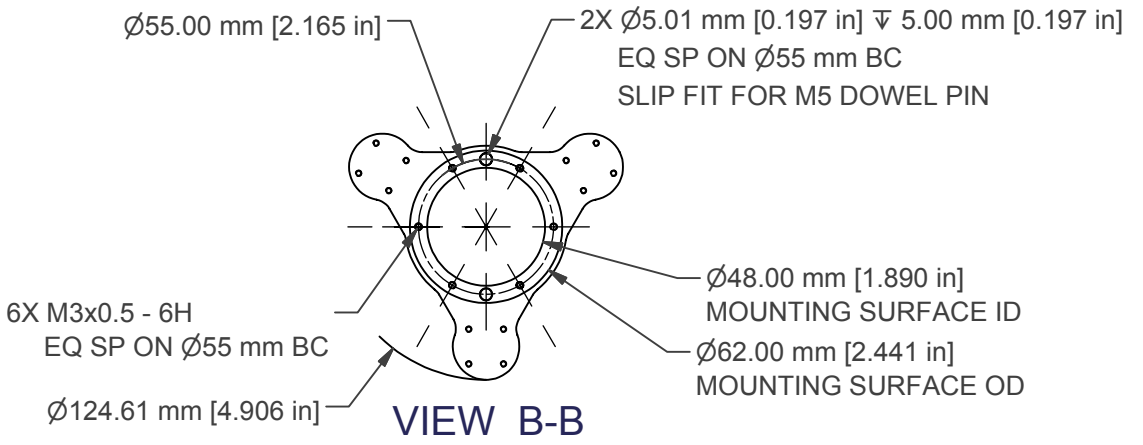
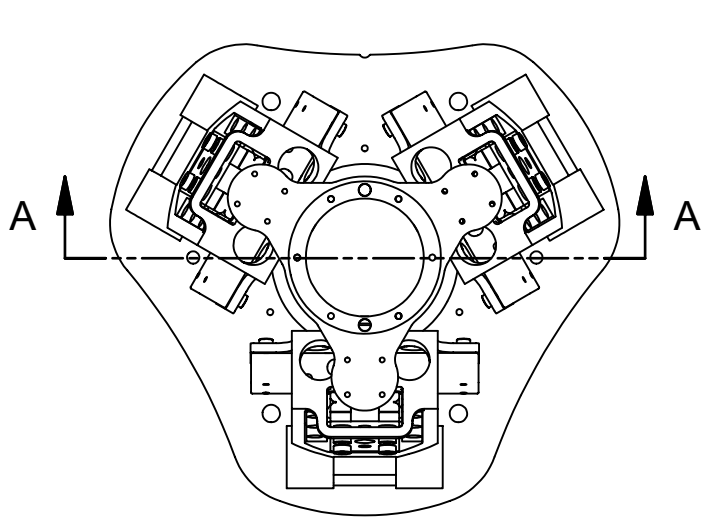
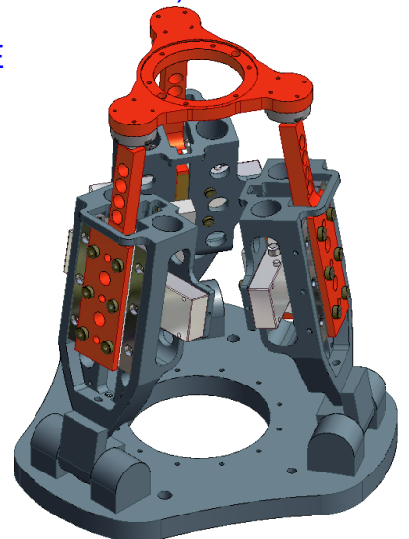


STANDARD FEATURES
 MAXIMUM Z STROKE: 45mm
 PITCH & ROLL RANGE: +/- 30 degrees
 MOTORS: (6) HR-2 CERAMIC SERVO
 FORCE, STANDARD: 48 N
 TRIPOD SPEED: 200mm/sec
 ENCODERS: (3) LINEAR OPTICAL
 ENCODER OUTPUT: ANALOG 1 VOLT, PEAK TO PEAK
 ENCODER RESOLUTION: 5nm
 SYSTEM REPEATABILITY: 50nm SERVO (10nm DC MODE)
 BEARINGS: PRECISION CROSSED ROLLER,
 PRECISION SPHERICAL JOINT &
 PRECISION BALL BEARINGS
 ENCLOSURES: ALUMINUM 6061-T6
 ENVIRONMENT: STANDARD, CLEAN ROOM, VACUUM
 10e-7 TORR, AND VACUUM 10e-10 TORR
 TEMPERATURE: 0 to 100 DEG C
 HUMIDITY: 10% to 80% NON-CONDENSING

INCLUDED EQUIPMENT
 MOTION CONTROLLERS (DELTA TAU)
 MOTOR AMPLIFIERS
 SOFTWARE AND LICENSE



ALIO INDUSTRIES PROPRIETARY INFORMATION
 11919 W I-70 FRONTAGE ROAD NORTH, UNIT 119, WHEAT RIDGE, CO 80033 USA
 (Tel) 303.339.7500 - SALES@ALIOINDUSTRIES.COM - WWW.ALIOINDUSTRIES.COM

DRAWN NBROWN		4/28/2005			
CHECKED					
Tolerances: x.x ± .04 in x.xx ± .02 in x.xxx ± .005 in				TITLE AI-TRI-HR2	
MATERIAL		SIZE B	DWG NO 00524	REV 001	
SCALE		ALIO STD TEMPLATE - REV 004		SHEET	1 OF 1