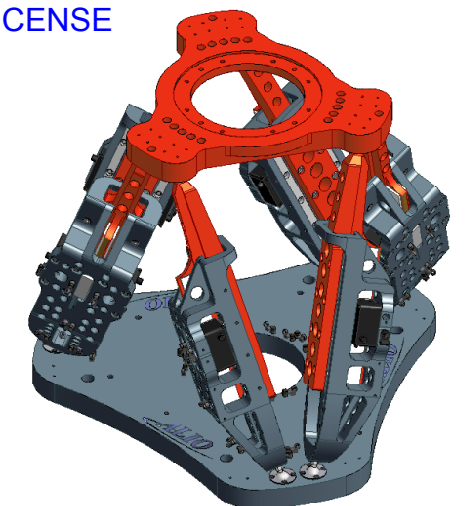


**STANDARD FEATURES**

LINEAR WORKING ENVELOPE: 60mm CUBE  
 MAXIMUM Z STROKE: 105mm  
 PITCH, YAW, ROLL RANGE: +/- 20 degrees  
 MOTORS: (12) HR-8 CERAMIC SERVO  
 FORCE, STANDARD: 384 N  
 HEXAPOD SPEED: 200mm/sec  
 ENCODERS: (6) LINEAR OPTICAL  
 ENCODER OUTPUT: ANALOG 1 VOLT, PEAK TO PEAK  
 ENCODER RESOLUTION: 5nm  
 SYSTEM REPEATABILITY: 50nm SERVO (10nm DC MODE)  
 BEARINGS: PRECISION CROSSED ROLLER &  
 PRECISION SPHERICAL JOINT  
 ENCLOSURES: ALUMINUM 6061-T6  
 ENVIRONMENT: STANDARD, CLEAN ROOM, VACUUM  
 10e-7 TORR, AND VACUUM 10e-10 TORR  
 TEMPERATURE: 0 to 100 DEG C  
 HUMIDITY: 10% to 80% NON-CONDENSING

**INCLUDED EQUIPMENT**

MOTION CONTROLLERS (DELTA TAU)  
 MOTOR AMPLIFIERS  
 SOFTWARE AND LICENSE



ALIO INDUSTRIES PROPRIETARY INFORMATION

11919 W I-70 FRONTAGE ROAD NORTH, UNIT 119, WHEAT RIDGE, CO 80033 USA  
 (Tel) 303.339.7500 - SALES@ALIOINDUSTRIES.COM - WWW.ALIOINDUSTRIES.COM

DRAWN	NBROWN	4/8/2005
CHECKED		
Tolerances:		
x.x ± .04 in		
x.xx ± .02 in		
x.xxx ± .005 in		
MATERIAL		

AI-HEX-HR8		
SIZE	DWG NO	REV
B	00489	002
SCALE	SHEET 1 OF 1	