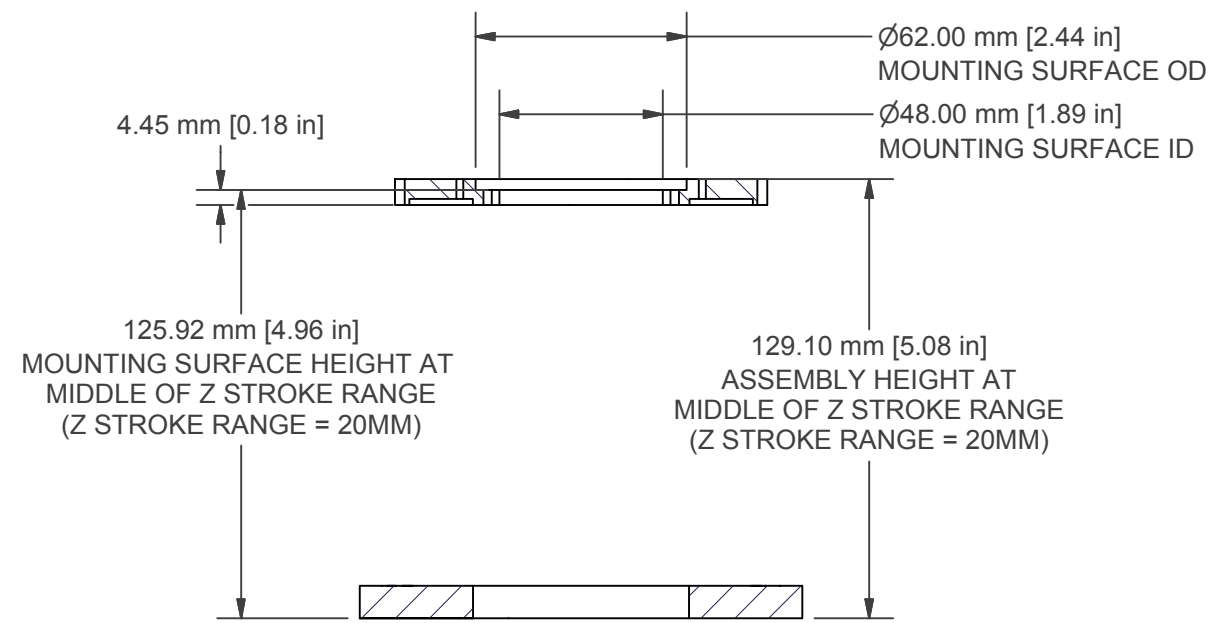
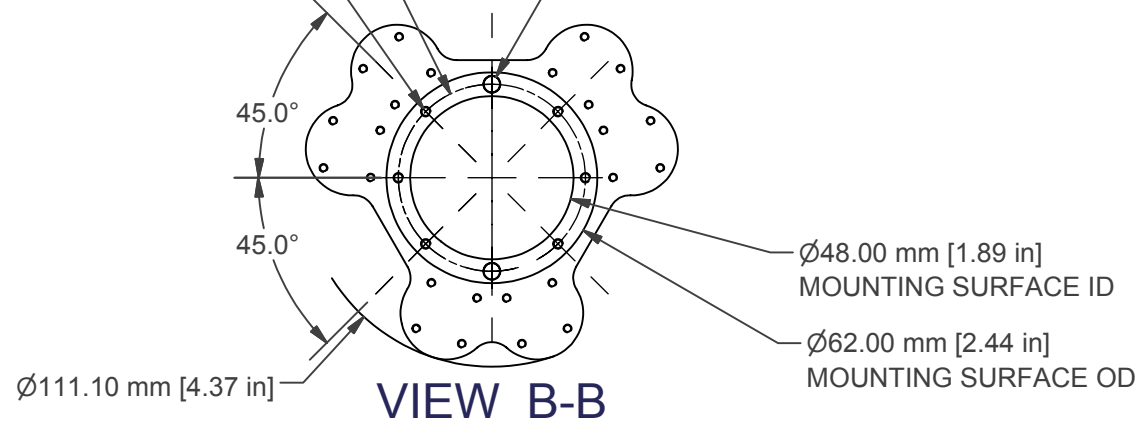


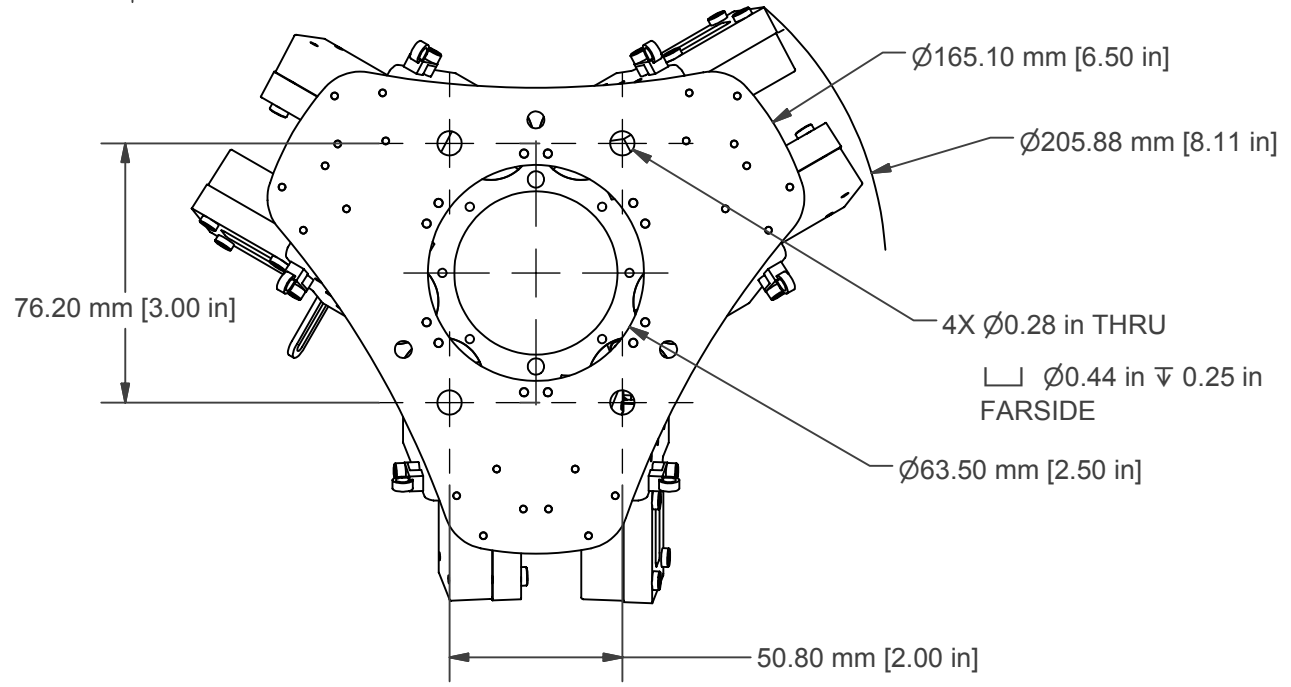
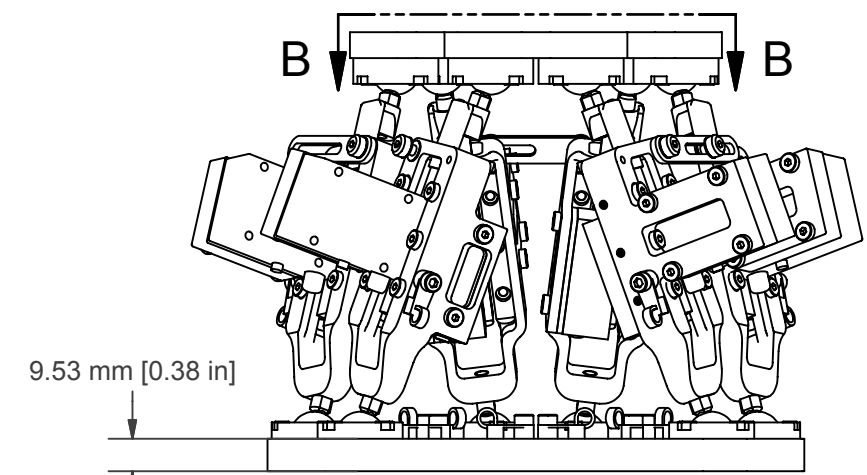
6X M3x0.5 - 6H
SP AS SHOWN ON Ø55 mm BC

(Ø55.00 mm [2.17 in])

2X Ø5.01 mm [0.20 in] ∇ 3.50 mm [0.138 in]
SLIP FIT FOR M5 DOWEL PIN
EQ SP ON Ø55 mm BC

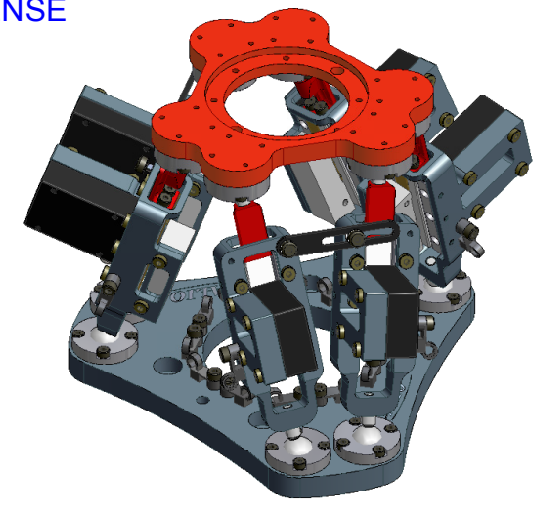


SECTION A-A



STANDARD FEATURES
 LINEAR WORKING ENVELOPE: 15mm CUBE
 MAXIMUM Z STROKE: 25mm
 PITCH, YAW, ROLL RANGE: +/- 20 degrees
 MOTORS: (6) HR-2 CERAMIC SERVO
 FORCE, STANDARD: 48 N
 HEXAPOD SPEED: 200mm/sec
 ENCODERS: (6) LINEAR OPTICAL
 ENCODER OUTPUT: ANALOG 1 VOLT, PEAK TO PEAK
 ENCODER RESOLUTION: 5nm
 SYSTEM REPEATABILITY: 50nm SERVO (10nm DC MODE)
 BEARINGS: PRECISION CROSSED ROLLER &
 PRECISION SPHERICAL JOINT
 ENCLOSURES: ALUMINUM 6061-T6
 ENVIRONMENT: STANDARD, CLEAN ROOM, VACUUM
 10e-7 TORR, AND VACUUM 10e-10 TORR
 TEMPERATURE: 0 to 100 DEG C
 HUMIDITY: 10% to 80% NON-CONDENSING

INCLUDED EQUIPMENT
 MOTION CONTROLLERS (DELTA TAU)
 MOTOR AMPLIFIERS
 SOFTWARE AND LICENSE



ALIO INDUSTRIES PROPRIETARY INFORMATION
 11919 W I-70 FRONTAGE ROAD NORTH, UNIT 119, WHEAT RIDGE, CO 80033 USA
 (Tel) 303.339.7500 - SALES@ALIOINDUSTRIES.COM - WWW.ALIOINDUSTRIES.COM

DRAWN	NBROWN	3/1/2005
CHECKED		
Tolerances: x.x ± .04 in x.xx ± .02 in x.xxx ± .005 in MATERIAL		

AI-HEX-HR2-SS		
SIZE	DWG NO	REV
B	00346	003
SCALE	SHEET 1 OF 1	