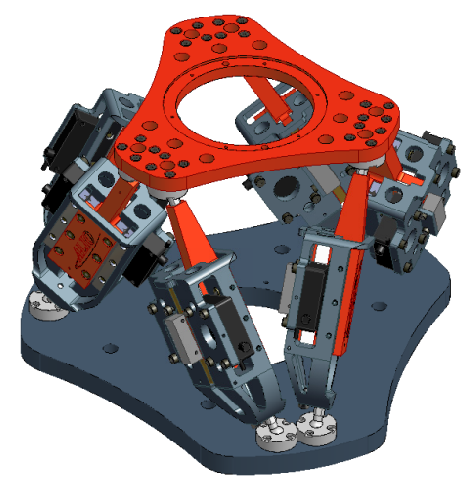


STANDARD FEATURES
 LINEAR WORKING ENVELOPE: 28mm CUBE
 MAXIMUM Z STROKE: 55mm
 PITCH, YAW, ROLL RANGE: +/- 18 degrees
 MOTORS: (12) HR-4 CERAMIC SERVO
 FORCE, STANDARD: 192 N
 HEXAPOD SPEED: 200mm/sec
 ENCODERS: (6) LINEAR OPTICAL
 ENCODER OUTPUT: ANALOG 1 VOLT, PEAK TO PEAK
 ENCODER RESOLUTION: 5nm
 SYSTEM REPEATABILITY: 50nm SERVO (10nm DC MODE)
 BEARINGS: PRECISION CROSSED ROLLER &
 PRECISION SPHERICAL JOINT
 ENCLOSURES: ALUMINUM 6061-T6
 ENVIRONMENT: STANDARD, CLEAN ROOM, VACUUM
 10e-7 TORR, AND VACUUM 10e-10 TORR
 TEMPERATURE: 0 to 100 DEG C
 HUMIDITY: 10% to 80% NON-CONDENSING

INCLUDED EQUIPMENT
 MOTION CONTROLLERS (DELTA TAU)
 MOTOR AMPLIFIERS
 SOFTWARE AND LICENSE



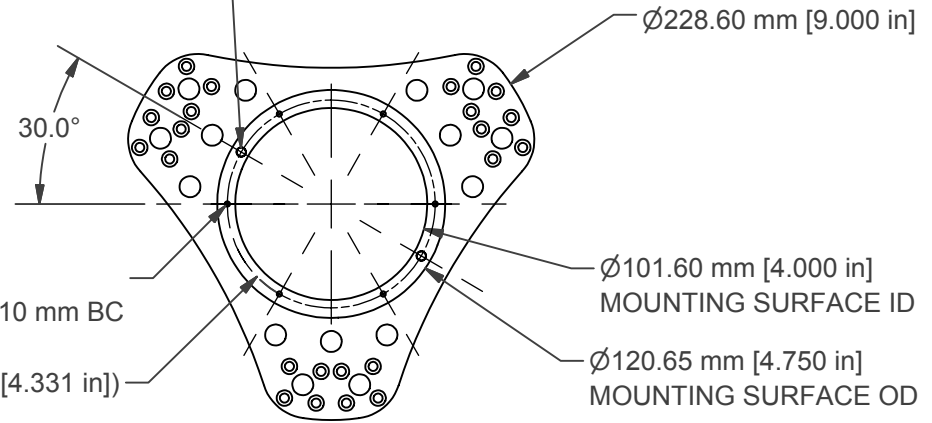
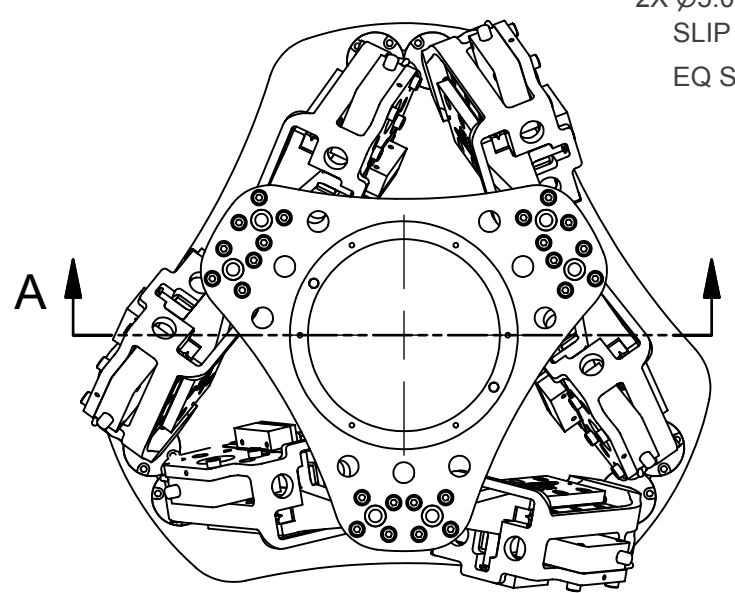
ALIO INDUSTRIES PROPRIETARY INFORMATION
 11919 W I-70 FRONTAGE ROAD NORTH, UNIT 119, WHEAT RIDGE, CO 80033 USA
 (Tel) 303.339.7500 - SALES@ALIOINDUSTRIES.COM - WWW.ALIOINDUSTRIES.COM



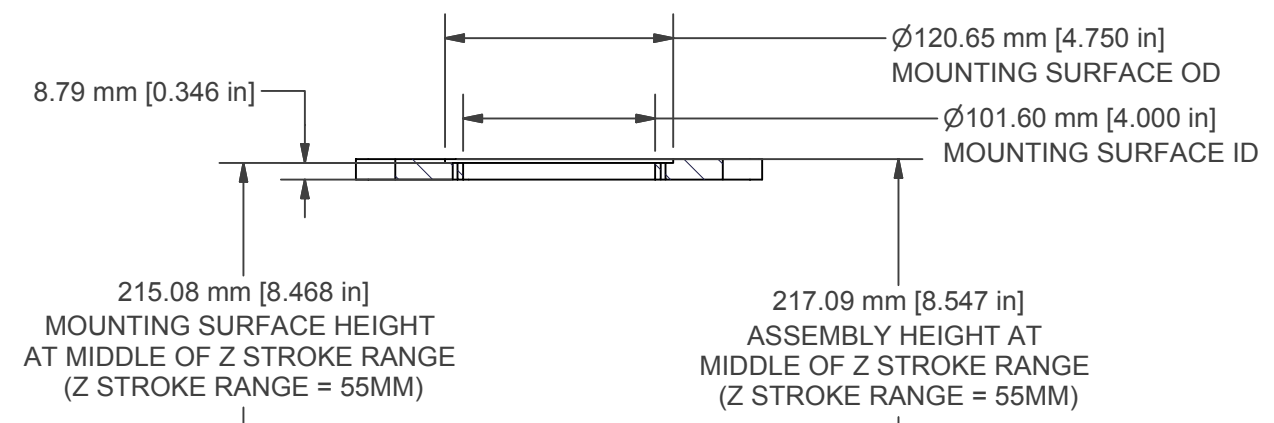
AI-HEX-HR4

DRAWN	NBROWN	3/2/2005	TITLE	
CHECKED				
Tolerances:			SIZE	
x.x ± .04 in				
x.xx ± .02 in				
x.xxx ± .005 in			DWG NO	REV
MATERIAL			B	00040
SCALE			SHEET	1 OF 1

2X Ø5.01 mm [0.197 in] ± 5.00 mm [0.197 in]
 SLIP FIT FOR M5 DOWEL PIN
 EQ SP ON Ø110 mm BC



VIEW B-B



SECTION A-A

